

No.8362000

金輪牌 GOLDEN WHEEL

2-Needle, Unisonfeed, Hight Post Bet, Lockstitch Machine
For Medium-Weight Materials With Regular Hook

CS-8362

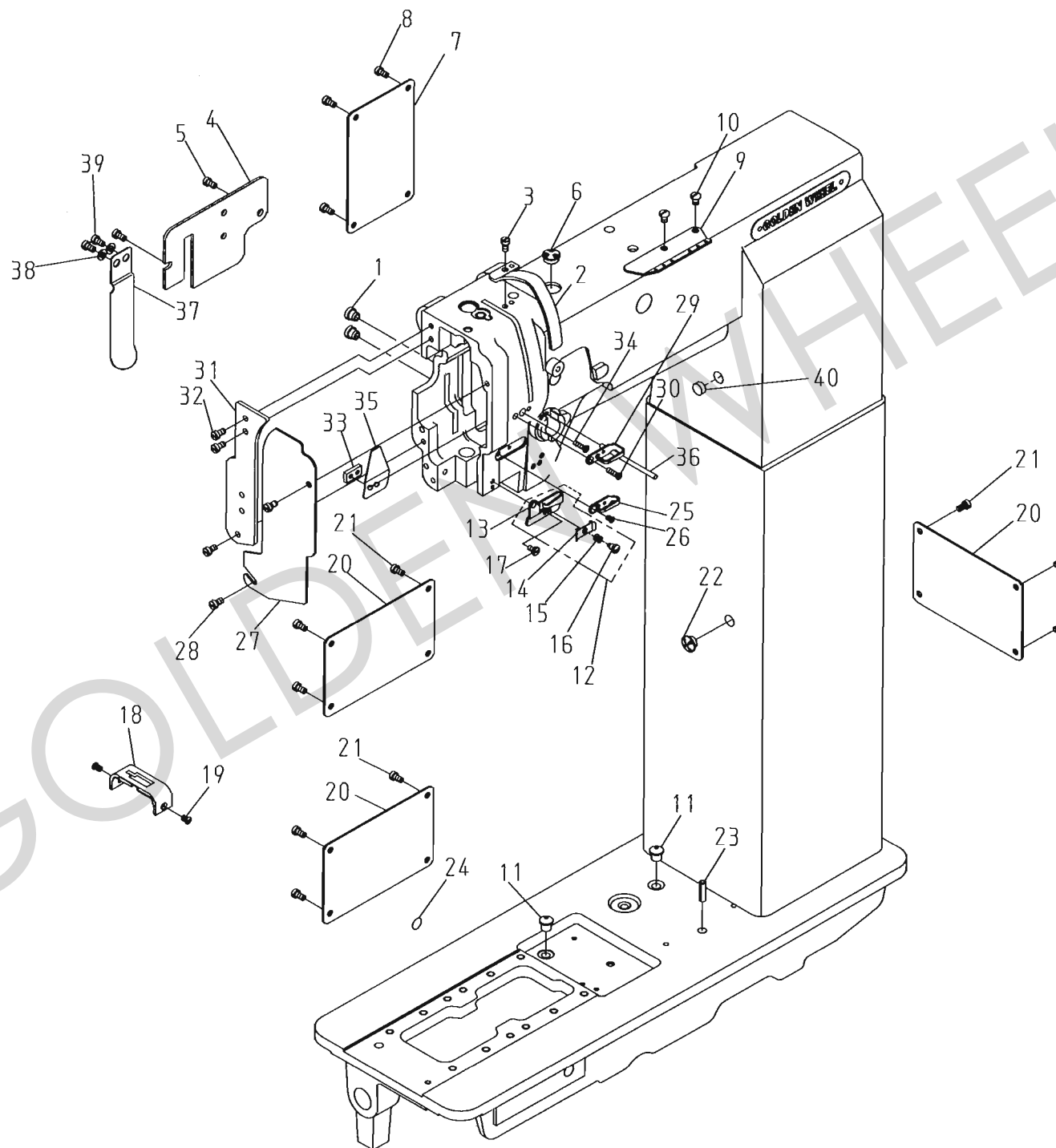
零件分解圖 PARTS LIST

CHEE SIANG INDUSTRIAL CO.,LTD.

MODEL : CS-8362

目次	CONTENTS	PAGE
A. 本體關係	FRAME & MISCELLANEOUS COVER COMPONENTS	2-3
B. 上軸關係	MAIN SHAFT COMPONENTS	4-5
C. 針棒・天秤關係	NEEDLE BAR・THREAD TAKE-UP LEVER COMPONENTS	6-7
D. 針棒搖擺關係	NEEDLE BAR ROCKING MOTION MECHANISM COMPONENTS	8-9
E. 上部送料關係	UPPER FEED MECHANISM COMPONENTS	10-11
F. 押腳關係	PRESSURE BAR COMPONENTS	12-13
G. 縫目調整器關係	STITCH REGULATOR MECHANISM COMPONENTS	14-15
H. 下軸・送料關係(1/3)	LOWER SHAFT & FEED MECHANISM COMPONENTS (1/3)	16-17
I. 下軸・送料關係(2/3)	LOWER SHAFT & FEED MECHANISM COMPONENTS (2/3)	18-19
J. 下軸・送料關係(3/3)	LOWER SHAFT & FEED MECHANISM COMPONENTS (3/3)	20-21
K. 釜軸座關係	HOOK SADDLE MECHANISM COMPONENTS	22-23
L. 縫線壓力調整關係	UPPER THREAD TENSION REGULATOR MECHANISM COMPONENTS	24-25
M. 油潤滑關係	OIL LUBRICATION MECHANISM COMPONENTS	26-27
N. 腳弓關係	KNEE LIFTER COMPONENTS	28-29
O. 附件	ACCESSORIES	30-31
P. 針位圖號詳表	GAUGE PARTS—LIST	32
Q. 零件號碼與頁數對照表	NUMERICAL PARTS—LIST	33-35

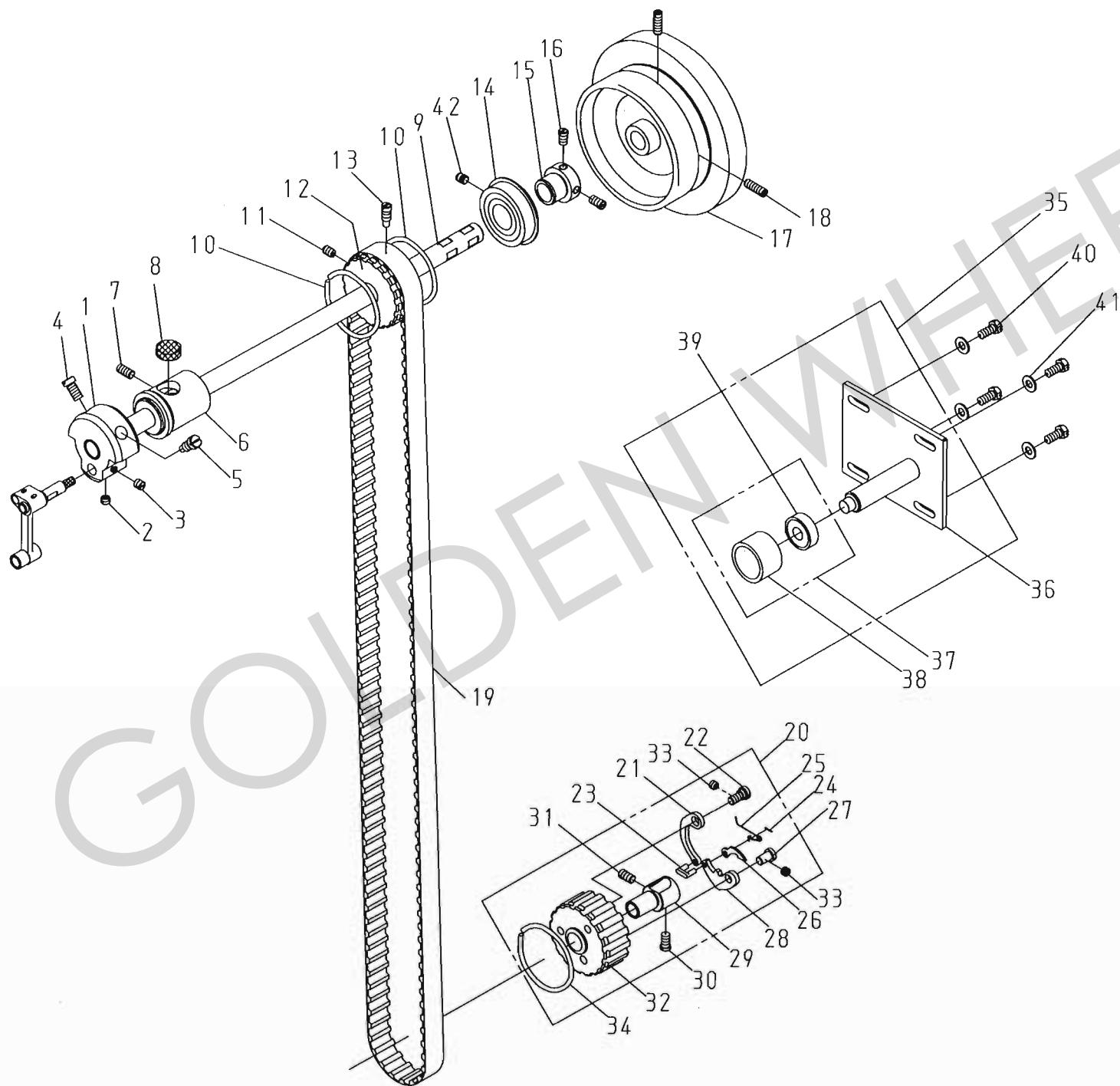
A. CS-8362 本體關係 FRAME & MISCELLANEOUS COVER COMPONENTS



A. CS-8362 本體關係 FRAME & MISCELLANEOUS COVER COMPONENTS

REF.No	NOTE	零件號碼 Part No.	零件名稱	Name of Part	件數 Q'TY	備註 Remarks
1		S1014-0B	橡膠塞	Rubber Plug	2	
2		EJ1063-0A	天秤護蓋	Thread Take-up Cover	1	
3		ZSB11012	螺絲	Screw 11/64-40*8	1	
4		EJ1011-1A	橫蓋	Arm Cover	1	
5		ZSB11012	螺絲	Screw 11/64-40*8	2	
6		A1131-1A	橡膠塞	Rubber Plug ϕ 12	1	
7		EJ1012-0A	側板	Arm Cover	1	
8		ZSB11012	螺絲	Screw 11/64-40*8	4	
9		EJ1051-0A	線掛	Thread Guide	1	
10		ZSB11041	螺絲	Screw 11/64-40*8	2	
11		A1077-0A	油蓋	Cap	2	
12		8370311605	線掛(套)	Thread Guide Asm.	1	
13		EJ1055-0A	線掛	Thread Guide	(1)	
14		EJ1056-0A	壓線具	Guide Plate	(1)	
15		EJ1057-0A	彈簧	Spring	(1)	
16		ZSG08003	螺絲	Screw 1/8-44*6.8	(1)	
17		ZSB09011	螺絲	Screw 9/64-40*6.5	1	
18		8350GA0040	針板	Throat Plate	1	
19		ZSC11007	螺絲	Screw 11/64-40*7	2	
20		EJ1012-0A	側板	Arm Cover	2	
21		ZSB11012	螺絲	Screw 11/64-40*8	8	
22		S1013-0B	橡膠塞	Rubber Plug	1	
23		YD050018	油管	Oil Pipe	1	
24		4710113000	印記	Grand Mark	1	
25		C1054-0A	線掛	Thread Guide	1	
26		ZSC09009	螺絲	Screw 9/64-40*6.5	1	
27		EJ1010-1A	面板	Face Plate	1	
28		ZSB11012	螺絲	Screw 11/64-40*8	2	
29		C1052-0A	線掛	Thread Guide	1	
30		ZSC09021	螺絲	Screw 3/16-28*11	1	
31		EJ1010-0A	面板	Guide mounting Plate	1	
32		ZSB11012	螺絲	Screw 11/64-40*8	3	
33		EJ1017-0A	螺帽板	Spaser	1	
34		ZSC09021	螺絲	Screw 3/16-28*11	1	
35		EJ1014-0A	油防板	Oil Guard Plate	1	
36		EJ1043-0A	線銷	Tension releasing Pin	1	
37		EJ1011-0A	防塵蓋	Cover	1	
38		WA049003	平墊圈	Washer 4.5	2	
39		ZSB11012	螺絲	Screw 11/64-40*8	2	
40		C1141-0B	橡膠塞	Rubber Plug	1	

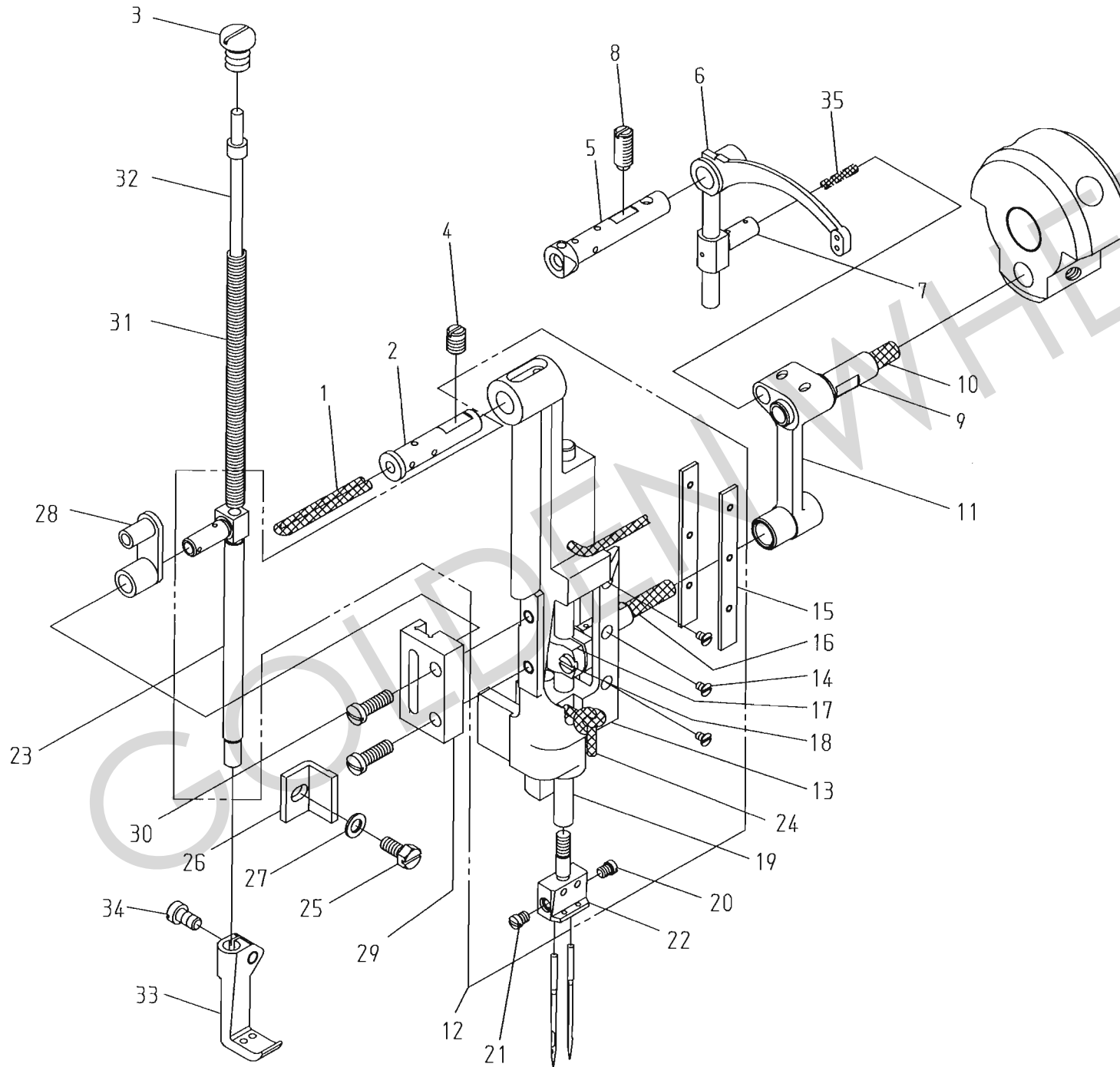
B. CS-8362 上軸關係 MAIN SHAFT COMPONENTS



B. CS-8362 上軸關係 MAIN SHAFT COMPONENTS

REF.No	NOTE	零件號碼 Part No.	零件名稱	Name of Part	件數 Q'TY	備註 Remarks
1		8370120800	凸輪	Crank	1	
2		ZSA15019	螺絲	Screw 15/64-28*3	1	
3		ZSA15017	螺絲	Screw 15/64-28*8.5	1	
4		ZSB18002	螺絲	Screw 9/32-28*13	1	
5		ZSB18001	螺絲	Screw 9/32-28*9.5	1	
6		EJ1101-0A	上軸套筒(前)	Arm Shaft Bushing (Left Front-side)	1	
7		ZSA16034	螺絲	Screw 1/4-24*13	1	
8		XB118001	油綿	Felt	1	
9		8370120100	上軸	Arm Shaft	1	
10		B1321-0A	齒輪邊環	Spring Flange	2	
11		ZSB15006	螺絲	Screw 15/64-28*8.5	1	
12		EJ1320-0B	齒形皮帶輪(上)	Belt Pully (Upper)	1	
13		ZSB15041	螺絲	Screw 15/64-28*9	1	
14		BB6204ZZNR	滾珠軸承	Ball Bearing	1	
15		EJ1103-0A	套管	Bushing	1	
16		ZSB15006	螺絲	Screw 15/64-28*8.5	2	
17		8370122300	皮帶輪	Balanse Wheel	1	
18		ZSB15026	螺絲	Screw 15/64-28*18	2	
19		8370131000	齒形皮帶	Cog belt	1	
20		8370187505	齒形皮帶輪(套)	Belt Pully Asm.(Lower)	1	
21		B4138-0A	彈片壓板	Spring plate	(1)	
22		EJ4137-0A	偏心固定鎖	Pin ϕ 6*14.5	(1)	
23		B4134-0A	連接桿	Link	(1)	
24		YC010010	開口銷	Split Pin 1*10	(1)	
25		B4132-0A	離合器彈簧	Twist Spring	(1)	
26		B4135-0A	離合器棘	Plate	(1)	
27		B4131-0A	固定銷	Pin ϕ 6.35*13	(1)	
28		B4133-0A	離合器棘	Plate	(1)	
29		EJ4136-0A	套管	Bushing	(1)	
30		ZSB15004	螺絲	Screw 15/64-28*10.5	(1)	
31		ZSB15006	螺絲	Screw 15/64-28*8.5	(1)	
32		EJ4130-0B	齒形皮帶輪	Belt pully (Lower)	(1)	
33		ZSA15021	螺絲	Screw 15/64-28*4.5	(2)	
34		B1321-0A	齒輪邊環	Spring Flange	(1)	
35		8370131505	惰輪座(套)	Idler Base Asm.	1	
36		8370131504	惰輪座(結合)	Idler Base Com.	(1)	
37		8370131704	惰輪(結合)	Idler Com.	(1)	
38		8370131700	惰輪	Idler	(1)	
39		BB6000ZZ	滾珠軸承	Ball Bearing	(1)	
40		ZSD15007	螺絲	Screw 15/64-28*14	4	
41		WA069001	平墊圈	Washer 6	4	
42		ZSA16033	螺絲	Screw 1/4-24*7.5	1	

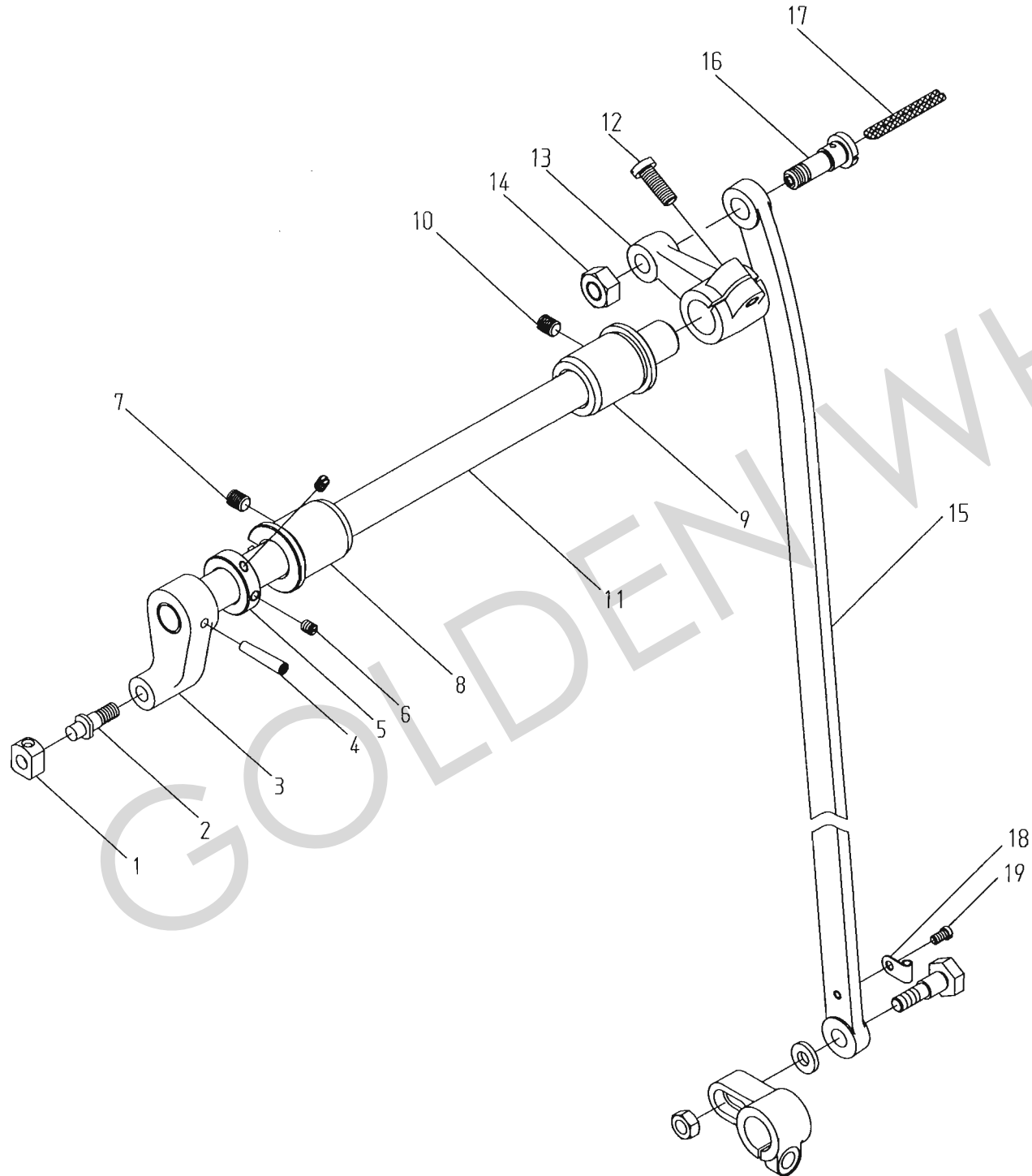
C. CS-8362 針棒・天秤關係 NEEDLE BAR・THREAD TAKE-UP LEVER COMPONENTS



C. CS-8362 針棒·天秤關係 NEEDLE BAR · TREAD TAKE-UP LEVER COMPONENTS

REF.No	NOTE	零件號碼 Part No.	零件名稱	Name of Part	件數 Q'TY	備註 Remarks
1		XA300080	油線	Oil Wick ϕ 2.5*80	1	
2		EJ1091-0A	針柱座固定軸	Needle Bar Guide Bracket Stud	1	
3		ZSB20009	螺絲	Screw 5/16-28*10	1	
4		ZSA15017	螺絲	Screw 15/64-28*8.5	1	
5		C1061-0A	天秤固定銷	Thread Take-up Lever Support Stud	1	
6		4400190100	天秤	Thread Take-up Lever	1	
7		A1062-0A	天秤滑塊	Thread Take-up Slide Brock	1	
8		ZSA15010	螺絲	Screw 15/64-28*8.5	1	
9		A1107-0A	凸輪固定銷	Needle Bar Crank Pin	1	
10		XA300065	油線	Oil Wick ϕ 3.0*65	1	
11		EJ1080-0A	連接桿	Connecting Link	1	
12		8370270105	針柱台(套)	Needle Bar Guide Bracket Asm.	1	
13		EJ1090-0A	針柱台	Needle Bar Guide Bracket	(1)	
14		ZSC06005	螺絲	Screw 3/32-56*4	(6)	
15		EJ1081-0A	針棒連結器滑板	Spacer	(2)	
16		XA300040	油綿	Felt	(1)	
17		EJ1074-0A	針棒固定軸	Needle Bar Holder	(1)	
18		ZSB09032	螺絲	Screw 9/64-40*8.5	(1)	
19		EJ1070-1A	針棒	Needle Bar	(1)	
20		ZSB09027	螺絲	Screw 9/64-40*4	(2)	
21		EJ1075-051A	針榴	Needle Clamp	(1)	
22		F1076-0A	線掛	Needle Bar Thread Guide	(1)	
23		EJ1282-0A	中腳押棒	Vibrating Presser Bar	(1)	
24		XA300200	油線	Oil Wick ϕ 2.5*200	(1)	
25		ZSD11001	螺絲	Screw 11/64-40*10	1	
26		EJ1092-0A	針柱座定位板	Needle Bar Guide	1	
27		WA059002	平墊圈	Washer 5	1	
28		B1283-0A	押腳舉升連桿	Vibrating Presser Bar Link	1	
29		8370143700	押腳舉升連桿案内	Vibrating Presser Bar Guide	1	
30		ZSB11010	螺絲	Screw 11/64-40*15	2	
31		EJ1281-0A	彈簧	Spring	1	
32		EJ1280-0A	彈簧導桿	Vibrating Presser Spring Guide	1	
33		EJ1237-051A	內壓腳	Walking Foot	1	
34		ZSB11009	螺絲	Screw 11/64-40*5	1	
35		XA300027	油線	Oil Wick ϕ 3*27	1	

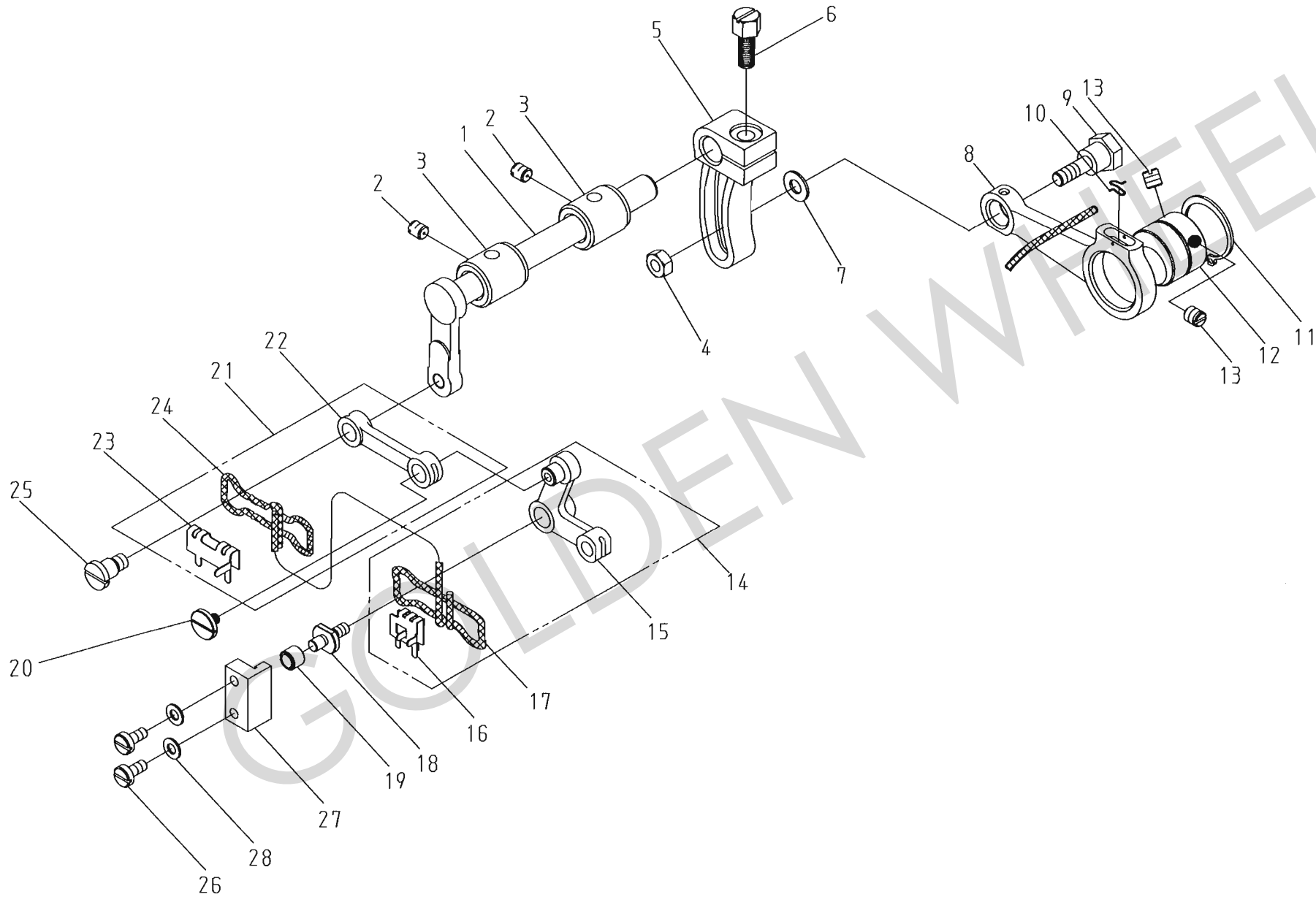
D. CS-8362 針棒搖擺關係 NEEDLE BAR ROCKING MOTION MECHANISM COMPONENTS



D. CS-8362 針棒搖擺關係 NEEDLE BAR ROCKING MOTION MECHANISM COMPONENTS

REF.No	NOTE	零件號碼 Part No.	零件名稱	Name of Part	件數 Q'TY	備註 Remarks
1		EJ1334-0A	角駒	Square Block	1	
2		EJ1333-0A	角駒軸	Crank Pin	1	
3		EJ1332-0A	擺動臂	Needle Bar Vibrating Crank (Left)	1	
4		YB040025	推拔銷	Taper Pin $\phi 4*25*1/5$	1	
5		EJ1344-0A	定環	Collar	1	
6		ZSA11005	螺絲	Screw 11/64-40*5.5	2	
7		ZSA16033	螺絲	Screw 1/4-24*8	1	
8		EJ1341-0A	擺動臂軸套管	Needle Bar Vibrating Shaft Bushing (Front)	1	
9		EJ1343-0A	擺動臂軸套管	Needle Bar Vibrating Shaft Bushing (Rear)	1	
10		ZSA16033	螺絲	Screw 1/4-24*8	1	
11		EJ1331-0A	擺動臂軸	Needle Bar Vibrating Shaft	1	
12		ZSB16004	螺絲	Screw 1/4-24*16	1	
13		8370271000	擺動臂	Needle Bar Vibrating Crank (Right)	1	
14		ZSL20004	螺帽	Nut 5/16-24	1	
15		8370271100	連接桿	Connecting Rod	1	
16		EJ1337-0A	螺絲	Hinge Screw	1	
17		XA300085	油線	Oil Wick $\phi 2.5*85$	1	
18		C1375-2A	油線支持片	Holder	1	
19		ZSB09018	螺絲	Screw 9/64-40*6.5	1	

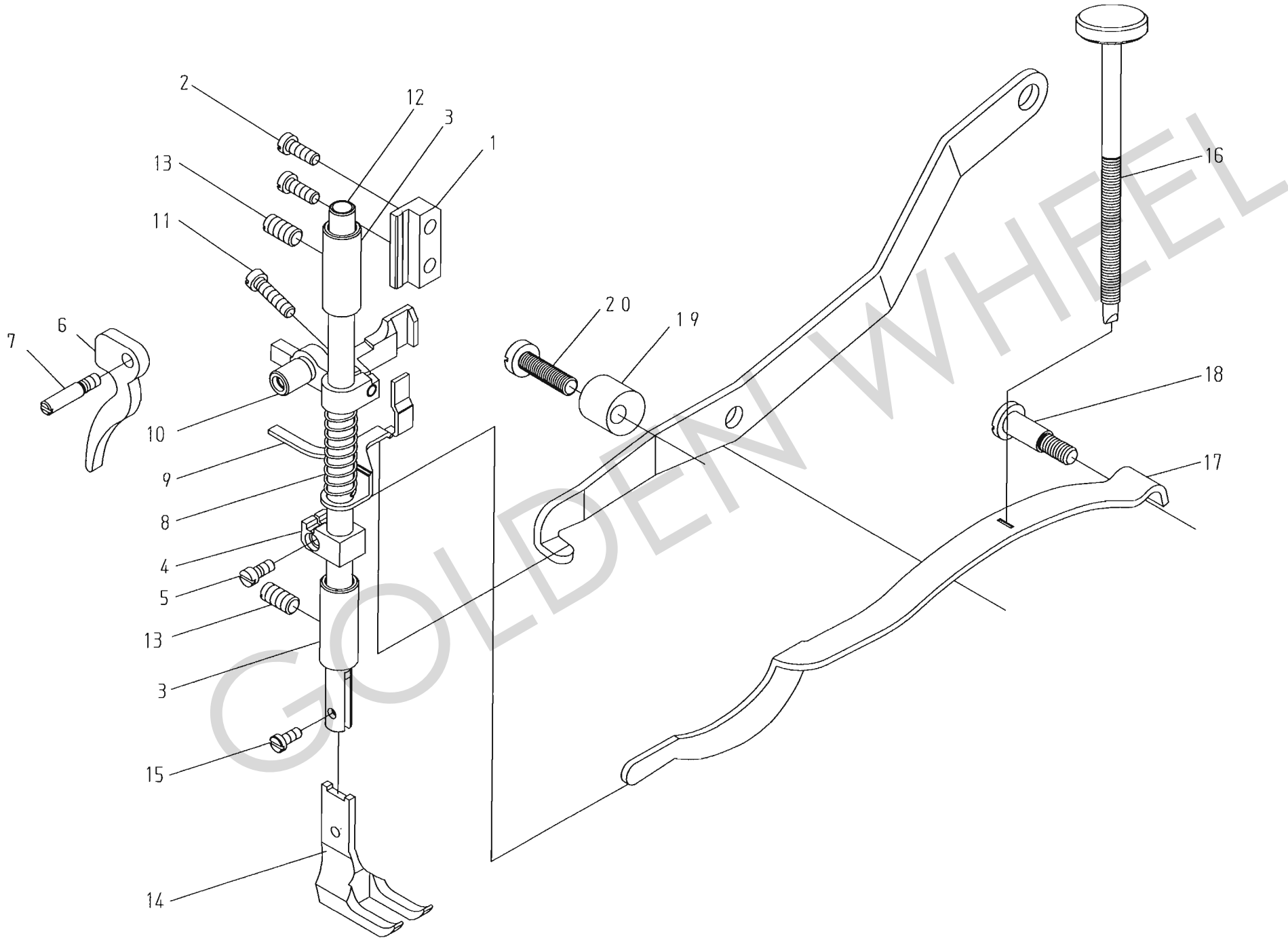
E. CS-8362 上部送料關係 UPPER FEED MECHANISM COMPONENTS



E. CS-8362 上部送料關係 UPPER FEED MECHANISM COMPONENTS

REF.No	NOTE	零件號碼 Part No.	零件名稱	Name of Part	件數 Q'TY	備註 Remarks
1		EJ1290-0A	作動軸	Feed Lifting Rock Shaft	1	
2		ZSA15028	螺絲	Screw 1/4-24*8	2	
3		E1291-0A	套管	Bushing	2	
4		ZML06001	螺帽	Nut M6*0.75	1	
5		EJ1295-0A	舉升曲柄連桿	Lever (Light)	1	
6		ZSD16007	螺絲	Screw 1/4-24*16	1	
7		WA069011	平墊圈	Washer 6	1	
8		E1297-0A	連接桿	Connecting Rod	1	
9		ZMG06003	螺絲	Hinge Screw	1	
10		A1130-0A	彈簧	Spring	1	
11		RB200250	軸用C扣環 25	Retaining Rings-C Type 25	1	
12		E1298-0A	偏心輪	Eccentric	1	
13		ZSA16011	螺絲	Screw 1/4-40*7	2	
14		8370143605	舉升支臂連桿(套)	Bell Crank Asm.	1	
15		EJ1286-0A	舉升支臂連桿	Bell Crank	(1)	
16		8370353200	油線掛架	Holder	(1)	
17		XA300140	油線	Oil Wick	(1)	
18		EJ1283-0A	舉升連桿支軸	Support Shaft	1	
19		EJ1284-0A	舉升曲臂案内珠	Roller	1	
20		ZSB11069	螺絲	Screw 11/64-32*6	1	
21		8370145105	連接桿(套)	Link Asm.	1	
22		EJ1287-0A	連接桿(左)	Link (Left)	(1)	
23		8370353100	油線掛架	Holder	(1)	
24		XA300130	油線	Oil Wick	(1)	
25		ZSG16018	螺絲	Hinge Screw	1	
26		ZSB11026	螺絲	Screw 11/64-40*10	2	
27		EJ1278-0A	案内板	Bell Crank Guide	1	
28		WA049006	平墊圈	Washer 5	2	

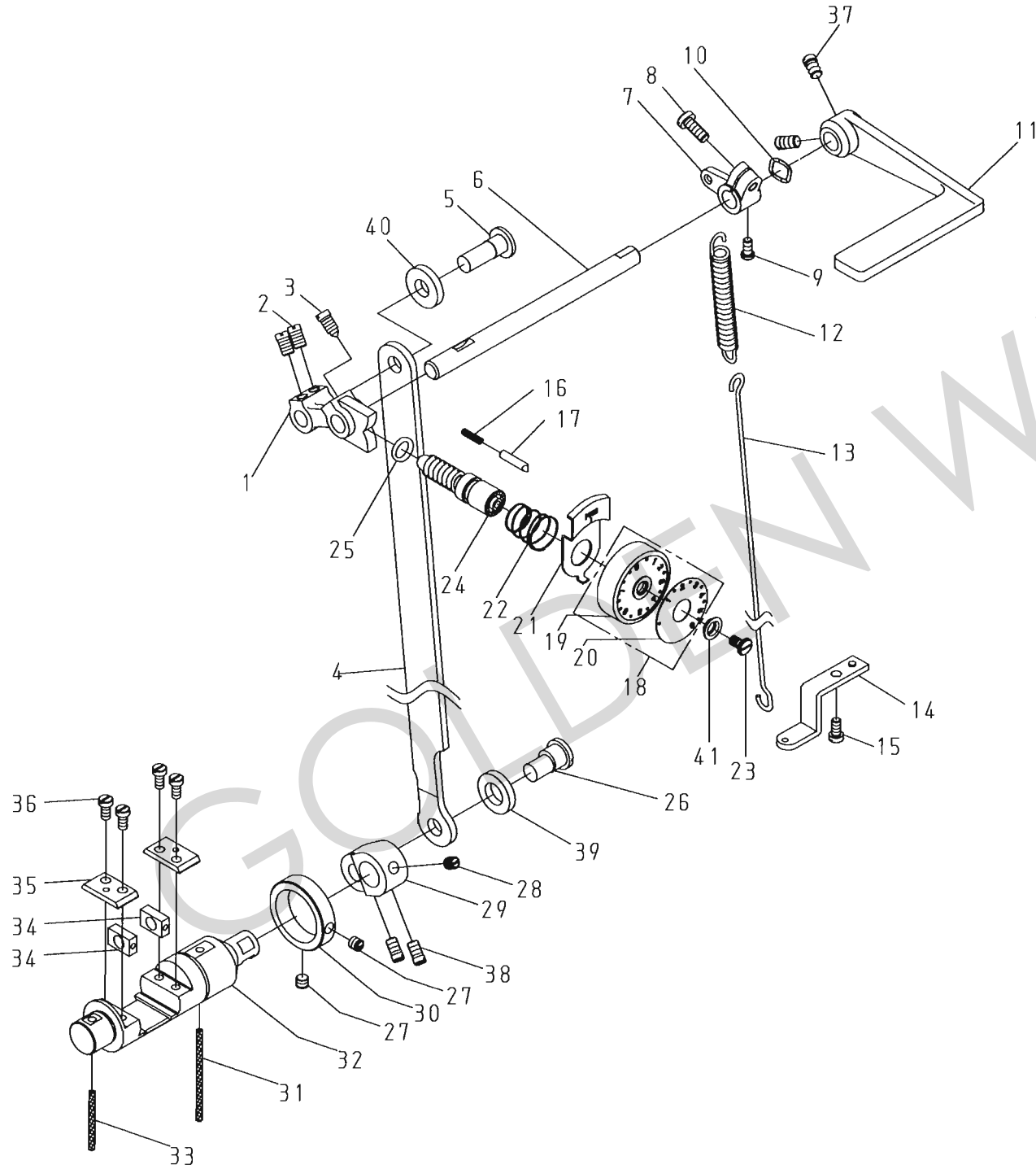
F. CS-8362 押脚關係 PRESSURE BAR COMPONENTS



F. CS-8362 押脚關係 PRESSURE BAR COMPONENTS

REF.No	NOTE	零件號碼 Part No.	零件名稱	Name of Part	件數 Q'TY	備註 Remarks
1		EJ1208-0A	押棒上升架案内板	Guide	1	
2		ZSB11017	螺絲	Screw 11/64-40*12	2	
3		C1183-0A	押棒套管	Bushing	2	
4		B1275-0A	押棒彈簧架	Spring Bracket	1	
5		ZSB10002	螺絲	Screw 9/64-40*8.5	1	
6		EJ1200-0A	押棒提升把手	Pressure Bar Lifter	1	
7		ZSK11036	螺絲	Screw 3/16-28*24.5	1	
8		B1274-0A	彈簧	Spring	1	
9		EJ1273-0A	壓縮滑座	Thread Releasing Plate	1	
10		EJ1272-0A	押棒上升器	Bracket	1	
11		ZSB11083	螺絲	Screw 11/64-40*15	1	
12		EJ1180-0A	押棒	Presser Bar	1	
13		ZSA16034	螺絲	Screw 1/4-24*13	2	
14		EJ1235-051A	外壓脚	Presser Foot	1	
15		ZSB09028	螺絲	Screw 9/64-40*11	1	
16		ZSK16017	螺絲	Screw 1/4-40*104	1	
17		EJ1300-0A	板彈簧	Lever Spring	1	
18		ZSG16003	螺絲	Hinge Screw	1	
19		8370341100	固定銷	Stopper	1	
20		ZSB16011	螺絲	Screw 1/4-24*25	1	

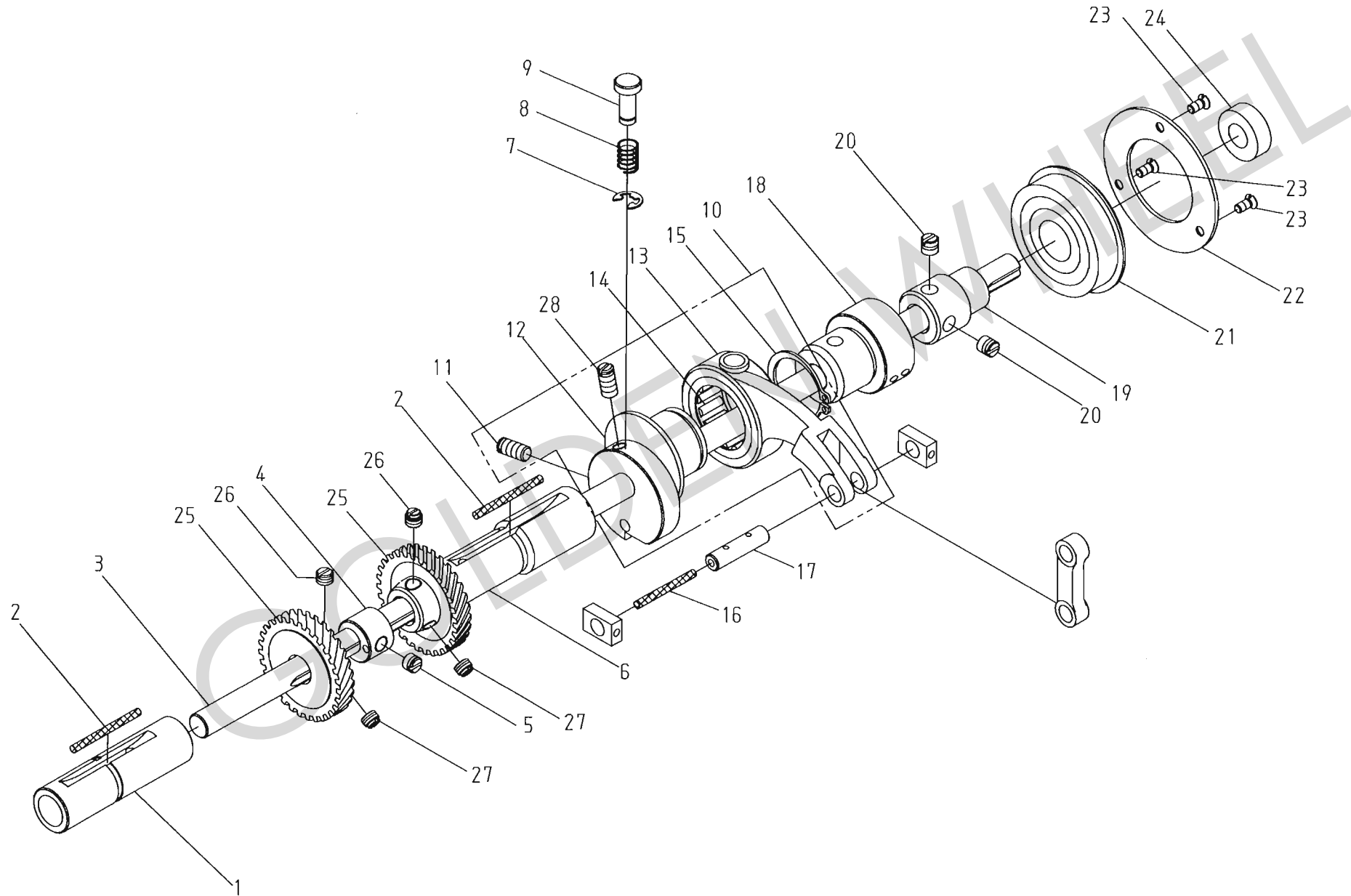
G. CS-8362 縫目調整器關係 STITCH REGULATOR MECHANISM COMPONENTS



G. CS-8362 縫目調整器關係 STITCH REGULATOR MECHANISM COMPONENTS

REF.No	NOTE	零件號碼 Part No.	零件名稱	Name of Part	件數 Q'TY	備註 Remarks
1		EJ1150-0A	三又	Feed Regulator Cam	1	
2		ZSB15006	螺絲	Screw 15/64-28*8.5	2	
3		ZSB15037	螺絲	Screw 15/64-28*12	1	
4		8370165100	連接桿	Link	1	
5		EJ1155-0A	連結軸	Eccentric Shaft	1	
6		EJ1161-0A	倒縫軸	Reverse Stitch Shaft	1	
7		EJ1163-0A	倒縫軸腕	Arm	1	
8		ZSB15009	螺絲	Screw 15/64-28*13	1	
9		ZSB11014	螺絲	Screw 11/64-40*8.5	1	
10		WG000010	彈簧墊圈	Spring Washer 10	1	
11		EJ1160-0A	倒縫桿	Reverse Sewing Lever	1	
12		EJ1166-0A	彈簧	Spring	1	
13		8370166000	彈簧掛	Spring Hook	1	
14		EJ4115-0A	支持板	Guide Plate	1	
15		ZSB11011	螺絲	Screw 11/64-40*8	1	
16		E1158-0A	彈簧	Spring	1	
17		E1171-2A	定位銷	Pin	1	
18		8370164005	刻度盤(套)	Dial Asm.	1	
19		E1172-2A	刻度盤	Dial	(1)	
20		4400164100	刻度板	Feed Scale Plate	(1)	
21		E1173-2A	操作板	Stoper Pin Releasing Lever	1	
22		E1174-2A	彈簧	Spring	1	
23		ZSB12017	螺絲	Screw 3/16-28*15	1	
24		EJ1170-0A	方牙棒	Feed Regulating Screw	1	
25		OP00100A	O形環 10	O-ring ϕ 10	1	
26		EJ4157-0A	倒縫軸連結鎖	Pin	1	
27		ZSA15025	螺絲	Screw 15/64-28*6	2	
28		ZSA15025	螺絲	Screw 15/64-28*6	1	
29		EJ4156-0A	倒縫軸連結腕	Reverse Sewing Crank	1	
30		EJ4154-0A	固定環	Collar	1	
31		XA300055	油線	Oil Wick ϕ 3*55	1	
32		EJ4150-0A	倒退固定軸	Reverse Block	1	
33		XA300035	油線	Oil Wick ϕ 3*35	1	
34		EJ4152-0A	滑駒	Square Block	2	
35		EJ4153-0A	滑塊固定板	Guide Plate	2	
36		ZSB11028	螺絲	Screw 11/64-40*10	4	
37		ZSB15006	螺絲	Screw 15/64-28*8.5	2	
38		ZSB15006	螺絲	Screw 15/64-28*8.5	2	
39		WH212004	墊圈	Spacer	1	
40		WH209003	墊圈	Spacer	1	
41		C1174-0A	墊片	Washer	1	

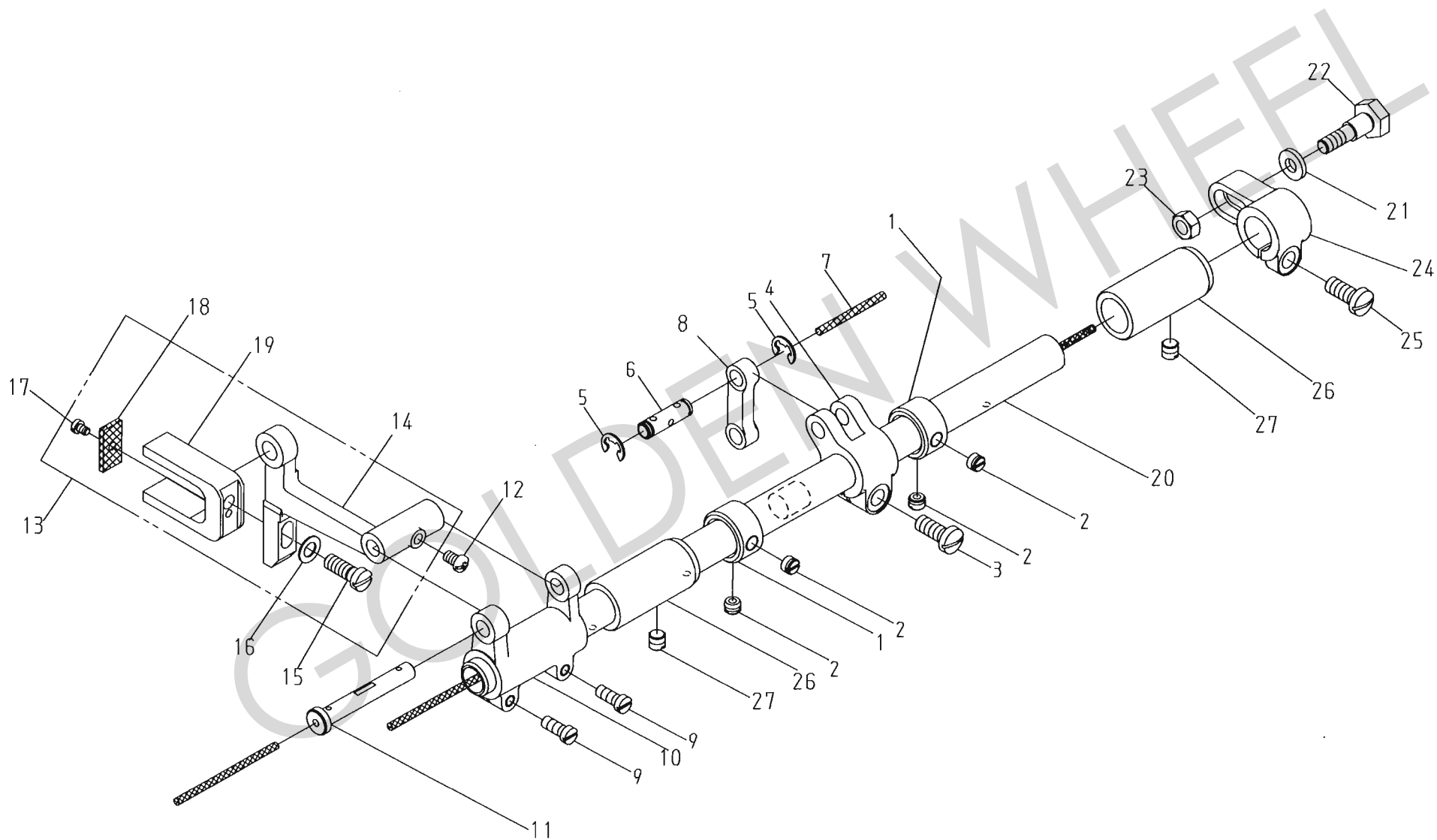
H. CS-8362 下轴・送料関係 LOWER SHAFT & FEED MECHANISM COMPONENTS (1/3)



H. CS-8362 下軸・送料關係 LOWER SHAFT & FEED MECHANISM COMPONENTS (1/3)

REF.No	NOTE	零件號碼 Part No.	零件名稱	Name of Part	件數 Q'TY	備註 Remarks
1		8370160600	套管	Bushing (Lower Shaft Left-side)	1	
2		XB304001	油線	Oil Wick	2	
3		8370180100	下軸	Lower Shaft	1	
4		C4015-0A	送料土台凸輪	Feed Eccentric Cam	1	
5		ZSA16021	螺絲	Screw 1/4-40*5	1	
6		EJ4012-0A	套管	Bushing (Lower Shaft Right-side)	1	
7		RE000050	E扣環 5	Retaining Rings-E Type 5	1	
8		EJ4121-0A	彈簧	Spring	1	
9		EJ4120-0A	銷	Push Button	1	
10		8370160905	下軸連桿・凸輪(套)	Feed Regulator Asm.	1	
11		ZSH15006	螺絲	Screw 15/64-28*12	(1)	
12		EJ4016-0A	下軸凸輪	Feed Eccentric	(1)	
13		EJ4017-0A	下軸連桿	Feed Connecting Rod	(1)	
14		BNTA2616Z	軸承	Needle Bearing	(1)	
15		RB200260	軸用C扣環 26	Retaining Rings-C Type 26	(1)	
16		XA300030	油線	Oil Wick ϕ 3*30	1	
17		EJ4151-0A	滑駒鎖	Shaft	1	
18		EJ4013-1A	套管	Bushing (Lower Shaft Middle-side)	1	
19		EJ4060-0A	套管	Bushing	1	
20		ZSA16025	螺絲	Screw 1/4-40*4	2	
21		BB6203ZZNR	滾珠軸承	Ball Bearing	1	
22		EJ4061-0A	滾珠軸承壓板	Bearing Holder	1	
23		ZSC09006	螺絲	Screw 9/64-40*7	3	
24		WA100013	墊圈	Spacer	1	
25		C4026-0A	斜齒輪(大)	Spiral Gear (Large)	2	
26		ZSA16010	螺絲	Screw 1/4-40*4	4	
27		ZSA16020	螺絲	Screw 1/4-40*5.5	2	
28		ZSH15002	螺絲	Screw 15/64-28*8	(1)	

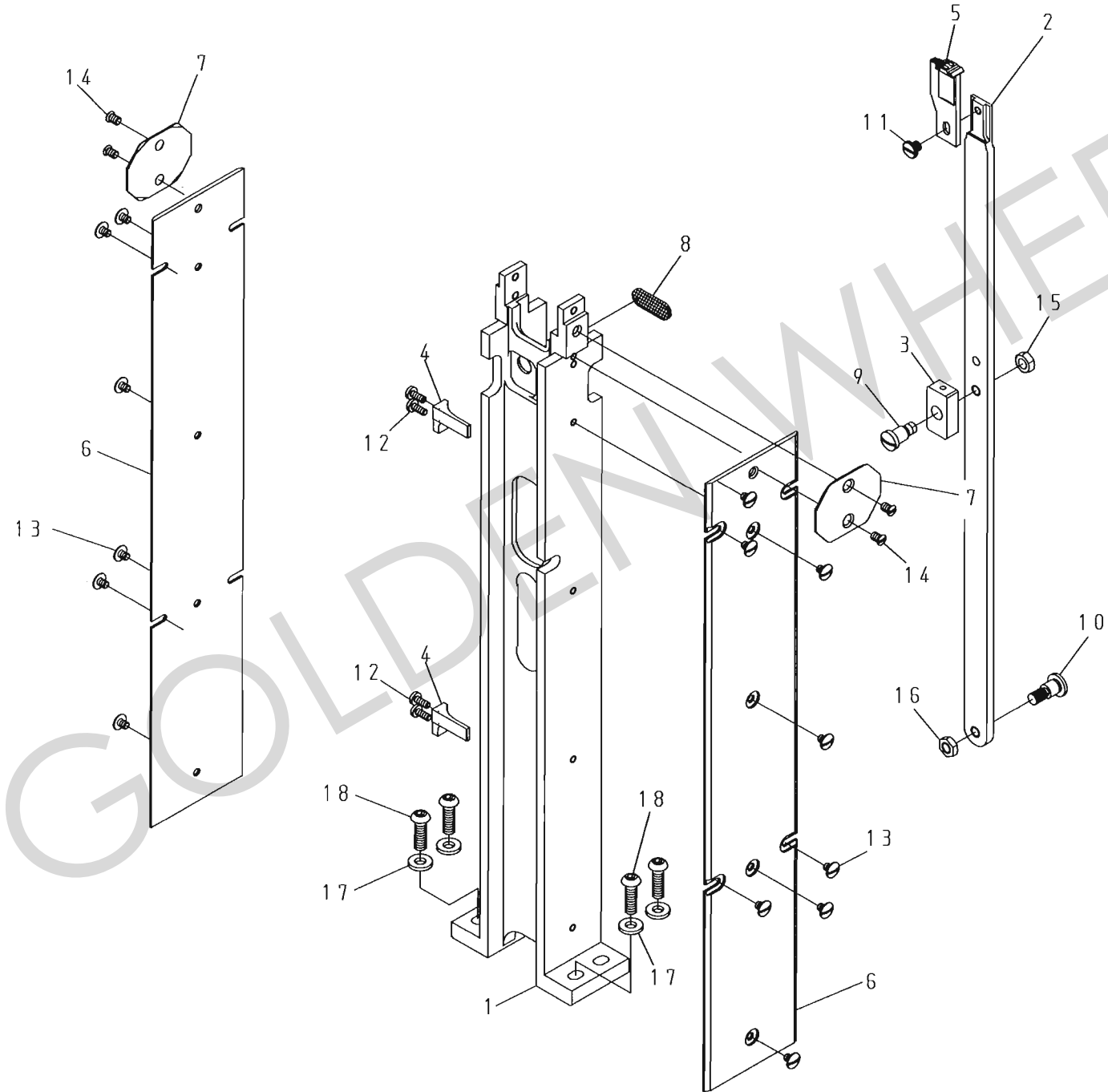
I. CS-8362 下軸・送料関係 LOWER SHAFT & FEED MECHANISM COMPONENTS (2/3)



I. CS-8362 下軸・送料關係 LOWER SHAFT & FEED MECHANISM COMPONENTS (2/3)

REF.No	NOTE	零件號碼 Part No.	零件名稱	Name of Part	件數 Q'TY	備註 Remarks
1		EJ4044-0A	固定環	Collar	2	
2		ZSA16010	螺絲	Screw 1/4-40*4	4	
3		ZSB16004	螺絲	Screw 1/4-24*16	1	
4		EJ4048-0A	針送料桿	Feed Connection Crank (Middle)	1	
5		RE000060	E扣環 6	Retaining Rings-E Type 6	2	
6		EJ4047-0A	連接板鎖	Shaft	1	
7		XA300030	油線	Oil Wick ϕ 3*30	1	
8		EJ4018-0A	連接桿	Link	1	
9		ZSB12015	螺絲	Screw 3/16-28*12	2	
10		EJ4045-0A	水平送齒腕	Feed Connection Crank (Left)	1	
11		EJ4051-0A	送料土台軸	Feed Bar Shaft	1	
12		ZSB11029	螺絲	Screw 11/64-40*7	1	
13		8370160105	送料土台(套)	Feed Bar Asm.	1	
14		8370160100	送料土台	Feed Bar	(1)	
15		ZSD15002	螺絲	Screw 15/64-28*15.5	(1)	
16		WA069003	平墊圈	Washer 6	(1)	
17		ZSB08010	螺絲	Screw 1/8-44*4	(1)	
18		XB312002	油綿	Felt	(1)	
19		EJ4055-0A	送料土台二又	Feed Bar Forked Connection	(1)	
20		EJ4040-0A	水平伝動軸	Feed Rock Shaft	1	
21		WH206001	平墊圈	Washer 6	1	
22		ZMG06013	螺絲	Hinge Screw	1	
23		ZML06005	螺帽	Nut M6 * 0.75	1	
24		EJ4046-0A	針送料桿	Feed Connection Crank (Right)	1	
25		ZSB16004	螺絲	Screw 1/4-24*16	1	
26		EJ4041-0A	套筒	Bushing	2	
27		ZSA16033	螺絲	Screw 1/4-24*8	2	

J. CS-8362 下軸・送料関係 LOWER SHAFT & FEED MECHANISM COMPONENTS (3/3)

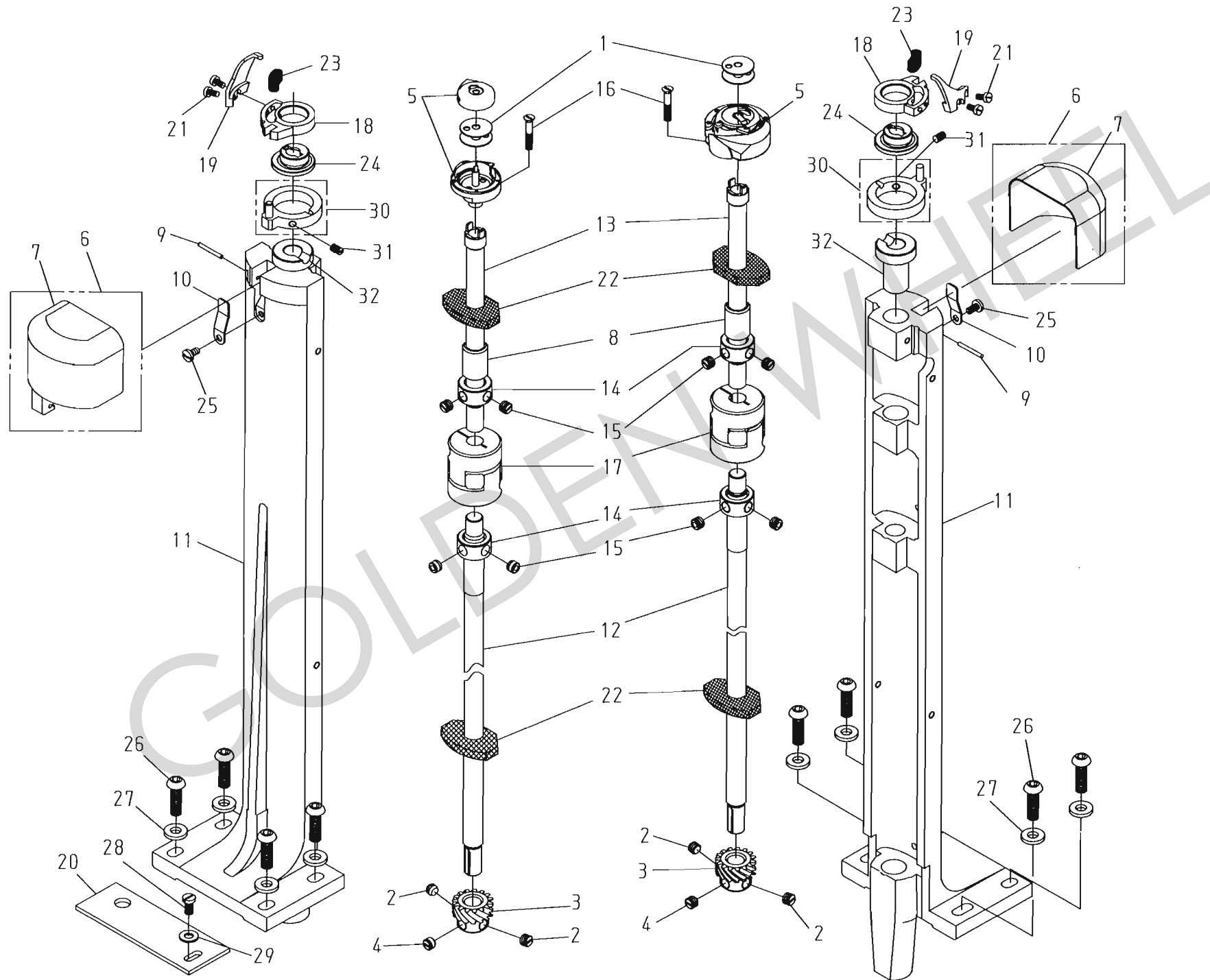


J. CS-8362 下軸・送料關係 LOWER SHAFT & FEED MECHANISM COMPONENTS (3/3)

REF.No	NOTE	零件號碼 Part No.	零件名稱	Name of Part	件數 Q'TY	備註 Remarks
1		8362162400	双針中座	Feed Link Support	1	
2		8370162500	送齒板	Feed Link	1	
3		8370162600	狗齒板滑塊	Slide Block	1	
4		5372166400	送齒板定位板	Support Plate	2	
5		8350GB0040	双針狗齒	Feed Dog	1	
6		8362163100	邊蓋板	Cover Plate	2	
7		836216320A	蓋板	Cover Plate	2	
8		8370355300	油綿	Felt	1	
9		ZSG15044	螺絲	Hinge Screw	1	
10		ZSG16007	螺絲	Hinge Screw	1	
11		ZSB11093	螺絲	Screw 11/64-40*4.3	1	
12		ZSB09007	螺絲	Screw 9/64-40*7.5	4	
13		ZMB04018	螺絲	Screw M4	16	
14		ZSC11003	螺絲	Screw 11/64-40*6.5	2	
15		ZSL15004	螺帽	Nut 15/64-28	1	
16		ZSL16010	螺帽	Nut 1/4-24	1	
17		WA060004	平墊圈	Washer	4	
18		ZMQ06002	螺絲	Screw M6*1*23	4	

GOLDEN WHEEL

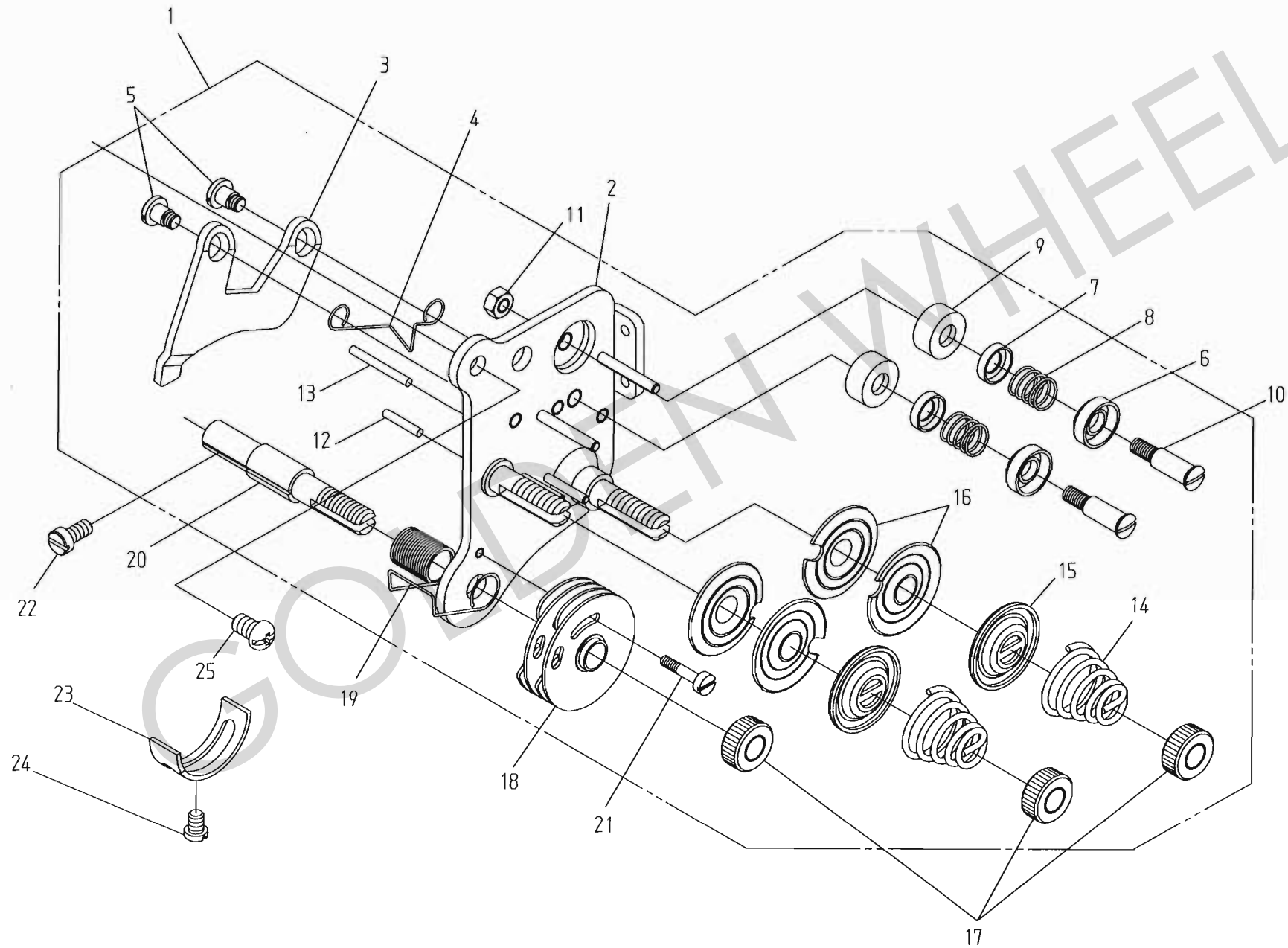
K. CS-8362 釜軸座關係 HOOK SADDLE MECHANISM COMPONENTS



K. CS-8362 釜軸座關係 HOOK SADDLE MECHANISM COMPONENTS

REF.No	NOTE	零件號碼 Part No.	零件名稱	Name of Part	件數 Q'TY	備註 Remarks
1		A7006-0A	梭孔	Bobbin	2	
2		ZSA16010	螺絲	Screw 1/4-40*4	4	
3		C4025-0A	斜齒輪 (小)	Spiral Gear (Small)	2	
4		ZSA16020	螺絲	Screw 1/4-40*5.5	2	
5		8360185100	梭頭 (套)	Hook Asm.	2	
6		8362183604	釜蓋 (套)	Hook Cover Asm.	2	
7		8362183600	釜蓋 (結合)	Hook Cover Com.	(2)	
8		8362188100	套管	Shaft Bushing	2	
9		YA020177	固定銷	Pin	(2)	
10		8370183700	彈簧板	Spring Plate	2	
11		8363186000	釜台	Hook Saddle	2	
12		8370186300	釜軸 (下)	Hook Shaft (Lower)	2	
13		8360186400	釜軸 (上)	Hook Shaft (upper)	2	
14		LG4014-0A	定環	Coller	4	
15		ZSH16005	螺絲	Screw 1/4-40*4.5	8	
16		ZMC05002	螺絲	Screw M5*20	2	
17		8370186600	連接器	Coupling	2	
18		8360186700	牛角桿	Openner Forked Connection	2	
19		8360186800	牛角	Openner	2	
20		8372187100	護蓋	Bed Cover	1	
21		ZMB03004	螺絲	Screw M3*6	4	
22		8370355200	油綿	Felt	4	
23		XB400003	油綿	Felt	2	
24		8360186500	偏心輪	Eccentric	2	
25		ZSB09047	螺絲	Screw 9/64-40*7	2	
26		ZMQ06002	螺絲	Screw M6*20	8	
27		WA060004	平墊圈	Washer 6	8	
28		ZSB11015	螺絲	Screw 11/64-40*7	1	
29		WA059005	平墊圈	Washer	1	
30		8360186904	調節盤	Adjusting Plate Com.	2	
31		ZMH04003	螺絲	Screw M4*5	2	
32		8360188000	套管	Shaft Bushing	2	

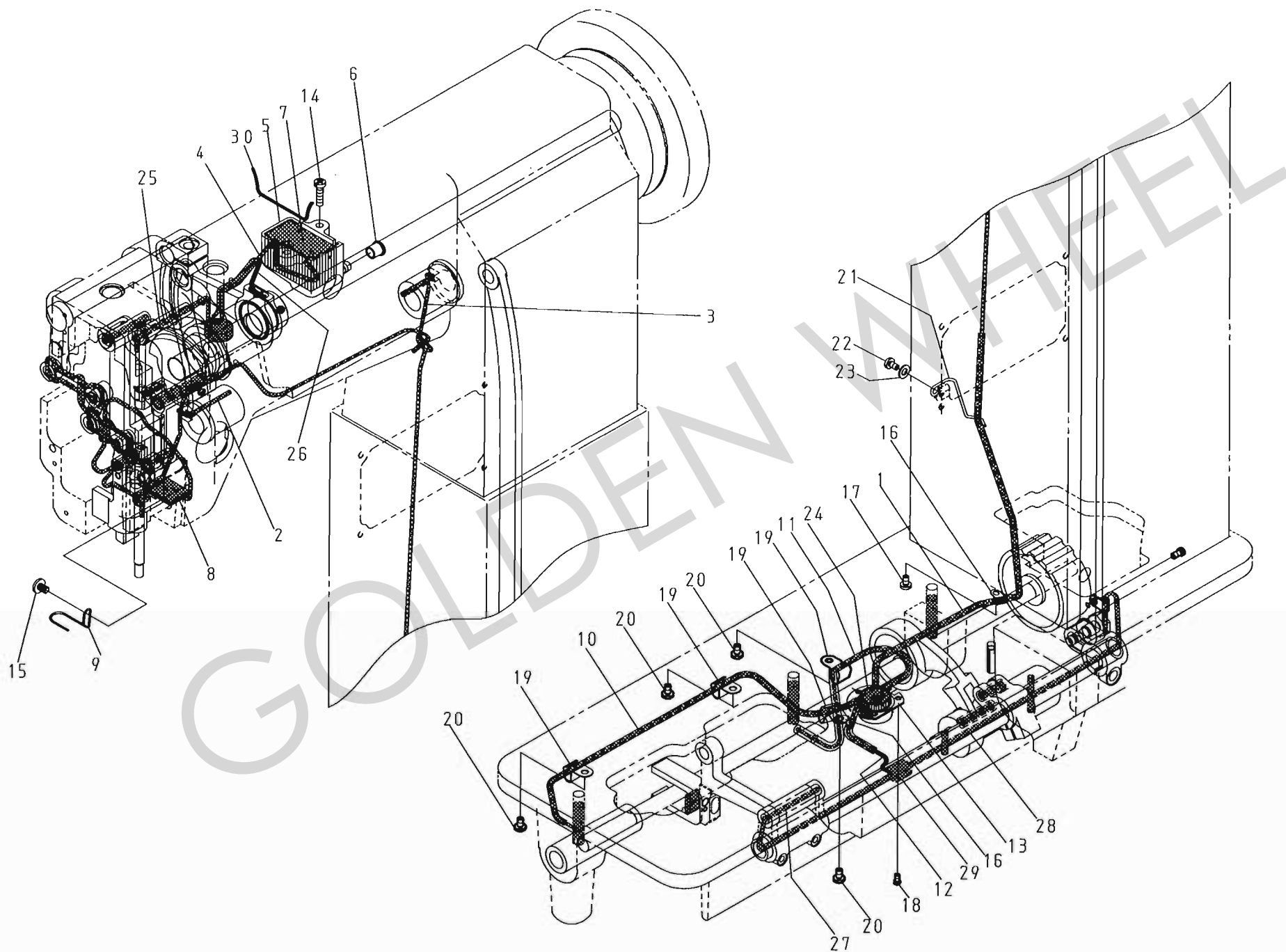
L. CS-8362 縫線壓力調整關係 UPPER THREAD TENSION REGULATOR MECHANISM COMPONENTS



L. CS-8362 縫線壓力調整關係 UPPER THREAD TENSION REGULATER MECHANISM COMPONENTS

REF.No	NOTE	零件號碼 Part No.	零件名稱	Name of Part	件數 Q'TY	備註 Remarks
1		EJ1020-1A	上線壓力板(套)	Thread Tension Regulator Asm.	1	
2		EJ1038-2A	上線壓力板	Mounting Plate Asm.	(1)	
3		EJ1037-0A	彈簧板	Tension Releasing Plate	(1)	
4		A1036-0A	壓板彈簧	Tension Releasing Spring	(1)	
5		ZSG09004	螺絲	Hinge Screw	(2)	
6		A1033-0A	過線孔台	Thread Guide Disk	(2)	
7		A1031-0A	過線孔圓盤	Thread Guide Disk	(2)	
8		A1032-0A	導線彈簧	Spring	(2)	
9		A1030-0A	過線孔內蓋	Thread Guide Bracket	(2)	
10		ZSG09005	螺絲	Hinge Screw	(2)	
11		ZSL11007	螺帽	Nut 11/64-40	(2)	
12		EJ1028-0A	緩線鎖	Tension Releasing Pin (small) ϕ 2*12	(1)	
13		EJ1028-2A	緩線鎖	Tension Releasing Pin (small) ϕ 2*12	(1)	
14		EJ1021-0A	彈簧	Tension Spring	(2)	
15		A1034-0A	線調整壓盤	Tension Regulator Presser Disk	(2)	
16		A1035-0A	壓力板	Tension Regulator Disk	(2)	
17		ZSN16002	螺帽	Tension Thumb Nut 1/4-40	(2)	
18		A1024-1A	過線盤組	Tension Controller Disk Set	(2)	
19		EJ1027-1A	彈簧	Thread Take-up Spring	(1)	
20		EJ1026-2A	調整螺絲棒	Tension Stud	(1)	
21		ZSB06003	螺絲	Screw 3/32-56*12	(1)	
22		ZSB09007	螺絲	Screw 15/64-28*11	1	
23		C1041-0A	線軸彈簧調整器	Stopper	1	
24		ZSB09005	螺絲	Screw 9/64-40*5	1	
25		ZSB11021	螺絲	Screw 11/64-40*5.5	1	

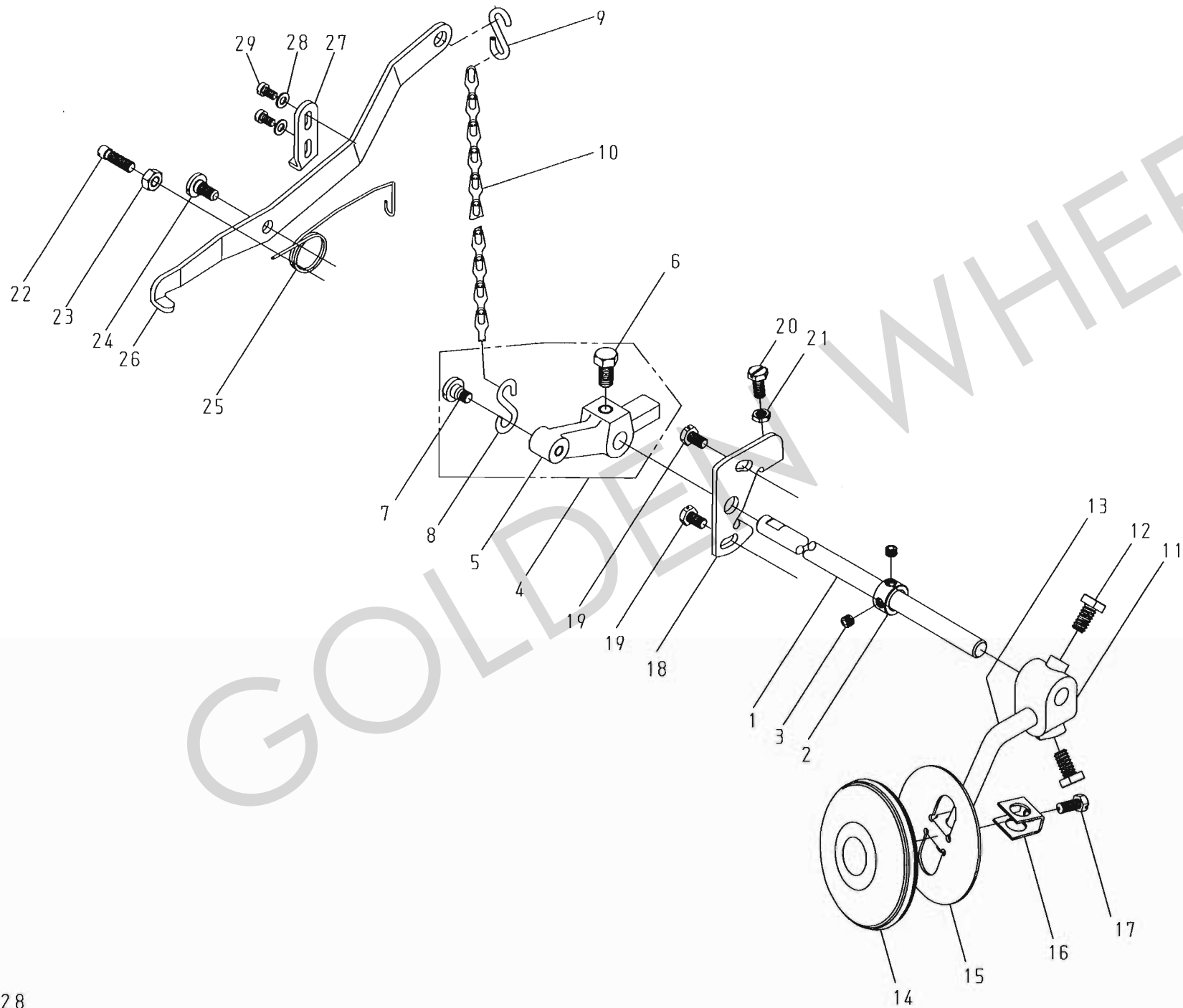
M. CS-8362 油潤滑關係 OIL LUBRICATION MECHANISM COMPONENTS



M. CS-8362 油潤滑關係 OIL LUBRICATION MACHANISM COMPONENTS

REF.No	NOTE	零件號碼 Part No.	零件名稱	Name of Part	件數 Q'TY	備註 Remarks
1		8370357005	油線 (套)	Oil Wick Asm.	1	
2		XA300045	油線	Oil Wick ϕ 2.5*45	1	
3		XA300140	油線	Oil Wick	1	
4		XA300160	油線	Oil Wick ϕ 3*160	1	
5		EJ1366-0A	油溜	Oil Reservoir	1	
6		8370353300	塑膠塞	Cap	1	
7		8370355500	油綿	Felt	1	
8		XB316001	油綿	Felt	1	
9		EJ4175-0A	油線固定片	Holder	1	
10		8370357105	油線 (套)	Oil Wick Asm.	1	
11		8370357205	油線 (套)	Oil Wick Asm.	1	
12		8370357305	油線 (套)	Oil Wick Asm.	1	
13		EJ6076-0A	釜軸油溜	Oil Reservoir	1	
14		ZMB04022	螺絲	Screw M4*15	2	
15		ZSB11016	螺絲	Screw 11/64-40*6.5	1	
16		EJ4172-0A	油管固定片	Holder	2	
17		ZSB09011	螺絲	Screw 9/64-40*6.5	1	
18		ZSB09018	螺絲	Screw 9/64-40*6.5	3	
19		EJ1375-0A	油管固定片	Holder	4	
20		ZSB09011	螺絲	Screw 9/64-40*6.5	4	
21		8370353000	油管支持片	Holder	1	
22		ZSB11011	螺絲	Screw 11/64-40*8	1	
23		WA049003	平墊圈	Washer 4.5	1	
24		8370355600	油綿	Felt	1	
25		XA300240	油線	Oil Wick ϕ 2.5*240	1	
26		XB206003	油線 (套)	Oil Pipe Com.	1	
27		XA300150	油線	Oil Wick ϕ 3*150	1	
28		XA300430	油線	Oil Wick ϕ 2.5*430	1	
29		XB110001	油綿	Felt	1	
30		EJ1369-0A	油綿支持片	Felt Holder	1	

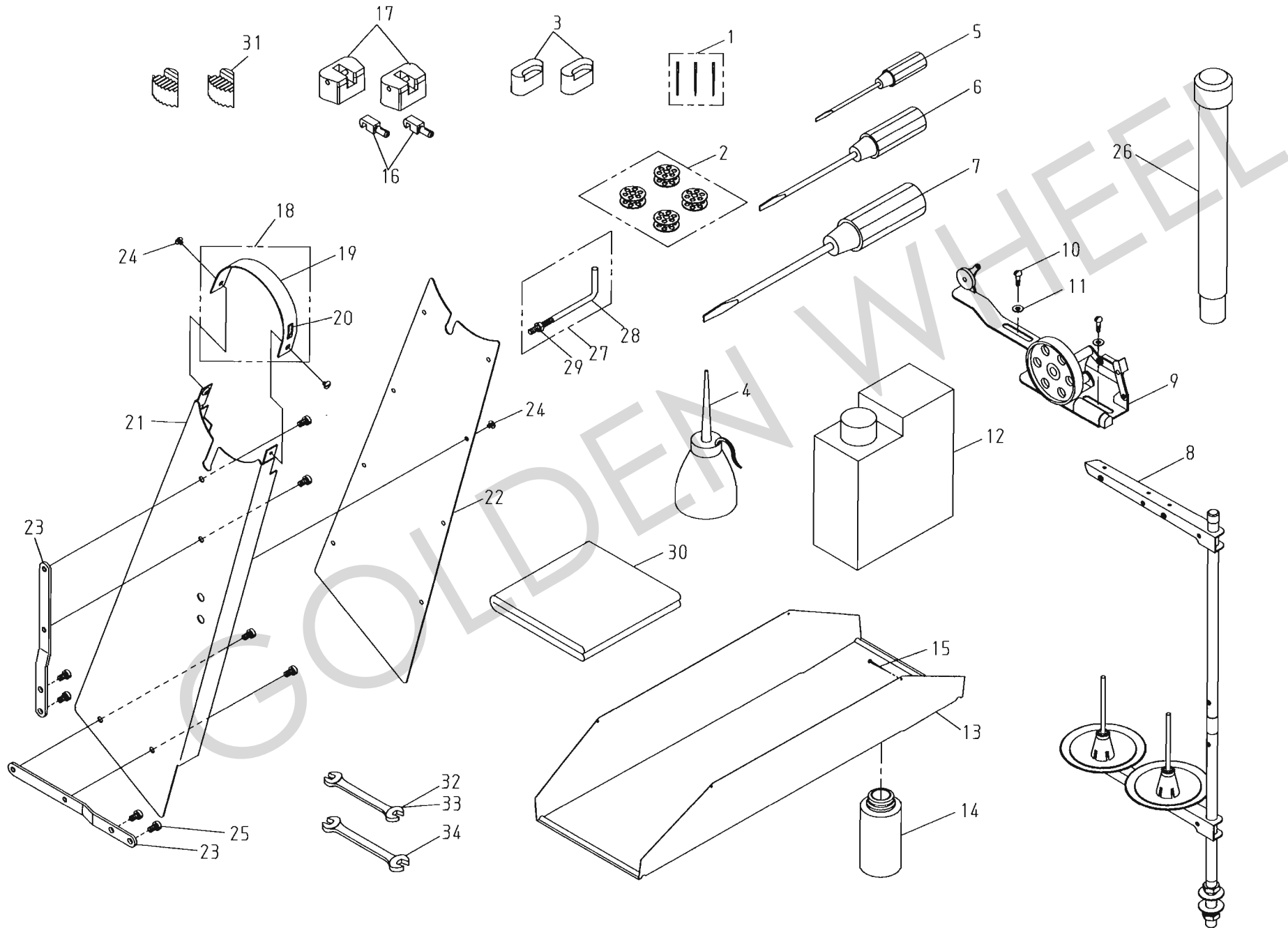
N. CS-8362 脚弓関係 KNEE LIFTER COMPONENTS



N. CS-8362 脚弓關係 KNEE LIFTER COMPONENTS

REF.No	NOTE	零件號碼 Part No.	零件名稱	Name of Part	件數 Q'TY	備註 Remarks
1		8370341700	脚押直桿	Knee Lifter Crank (Rear)	1	
2		LG4014-0A	定環	Coller	1	
3		ZSH16005	螺絲	Screw 1/4-40*4.5	2	
4		8370341609	連接器	Knee Lifter Crank (Rear)	1	
5		ZMK05017	彈簧掛	Spring Hook	1	
6		L1312-0A	彈簧	Spring	1	
7		ZMK05018	彈簧掛	Spring Hook	1	
8		ZSD20007	螺絲	Screw 5/16-18*16	1	
9		ZML06002	螺帽	Nut M6*1	1	
10		ZMD06005	螺絲	Screw M6*1*25	1	
11		8370341100	固定銷	Stopper	1	
12		ZSB16011	螺絲	Screw 1/4-24*25	1	
13		4710340800	S型銷	S-plug	2	
14		ZSG16013	螺絲	Hinge Screw	1	
15		A7034-0A	連接器	Knee lifter crank	1	
16		ZSD20007	螺絲	Screw 5/16-18*16	2	
17		8370341900	脚押曲桿	Knee Lever Rod	1	
18		A7037-0A	脚弓大餅	Knee Guird	1	
19		A7037-1A	脚弓餅支架	Knee Plate	1	
20		A7036-0A	固定支架	Retainer	1	
21		ZSD15007	螺絲	Screw 15/64-28*14	1	
22		B7060-0A	鎖子	Chain (517.6mm)	1	
23		ZSG16005	螺絲	Screw 1/4-24*14	1	
24		EJ1301-0A	脚弓板彈簧	Twist Spring	1	
25		8370341500	押脚提桿	Knee Lifting Lever	1	
26		8370343700	固定片	Stopper	1	
27		WA059002	平墊圈	Washer 4.5	2	
28		ZSB11012	螺絲	Screw 11/64-40*8	2	

O. CS-8362 附件關係 ACCESSORIES









O. CS-8362 附件 ACCESSORIES

REF.No	NOTE	零件號碼 Part No.	零件名稱	Name of Part	件數 Q'TY	備註 Remarks
1		INDPX17-18	針	Needle DP×17-18	3	
2		C7006-0A	梭孔	Bobbin	4	
3		4400911500	防振橡膠	Vibration Preventing Rubber	2	
4		A7012-1A	油壺(中)	Oiler	1	
5		A7010-0A	螺絲起子(小)	Screw Driver (small)	1	
6		A7010-1A	螺絲起子(中)	Screw Driver (middle)	1	
7		A7010-2A	螺絲起子(大)	Screw Driver (large)	1	
8		J7050-1A	線架	Cotton Stand	1	
9		A7040-0A	捲線器組	Bobbin Winder	1	
10		ZMT05001	木螺絲	Screw 4.5×20	2	
11		WA059003	平墊圈	Washer 6	2	
12		A7012-2A	油壺(大)	Oil Can	1	
13		8370912000	下油槽	Oil Pan	1	
14		A7012-0A	油壺(小)	Oiler	1	
15		A7011-0A	鐵釘	Nail	12	
16		4400911700	後鈕釦	Head Hinge	2	
17		J7022-0B	後鈕座	Rubber Hinge	2	
18	※01	8370335505	皮帶蓋(套)	Belt Cover Asm.	1	
19		8370335500	皮帶蓋	Belt Cover (C)	(1)	
20		4710335400	方向指示片	Direction Lavel	(1)	
21	※01	8370335100	皮帶蓋	Belt Cover (A)	1	
22	※01	8370335200	皮帶蓋	Belt Cover (B)	1	
23	※01	8370335600	安裝板	Plate	2	
24		ZMB04018	螺絲	Screw M4*5	10	
25		ZSB15010	螺絲	Screw 15/64-28*10	8	
26		4400119005	枕木	Head Rest	1	
27	※01	8370912505	檢出器定位銷(套)	Supporter Asm.	1	
28		8370912500	檢出器定位銷	Supporter	(1)	
29		ZSL15004	螺帽	Nut 15/64-28	(1)	
30		8370910900	車頭蓋	Vinyl cover	1	
31		E7026-1B	橡膠墊座	Head Cushion	2	
32		TRB11×13	兩口板手	Spanner	1	
33		TRB12×14	兩口板手	Spanner	1	
34		TRB09×10	兩口板手	Spanner	1	

Note (注記) ※01..... Optional part

特別注文部品

針巾 GAUGE SIZE 	針留 NEEDLE CLAMP 	外押脚 WALKING FOOT 	内押脚 PRESSER FOOT 	針板 THROAT PLATE 	送料齒 FEED DOG 	
					中厚 (Medium)	厚物 (Heavy)
1/8 (3.2mm)	EJ1075-1A	EJ1235-1A	EJ1237-1A	8350GA0032	8350GB0032	8350GB1032
5/32 (4.0mm)	EJ1075-041A	EJ1235-041A	EJ1237-041A	8350GA0040	8350GB0040	8350GB1040
3/16 (4.8mm)	EJ1075-051A	EJ1235-051A	EJ1237-051A	8350GA0048	8350GB0048	8350GB1048
1/4 (6.4mm)	EJ1075-061A	EJ1235-061A	EJ1237-061A	8350GA0064	8350GB0064	8350GB1064
5/16 (8.0mm)	EJ1075-081A	EJ1235-081A	EJ1237-081A	8350GA0080	8350GB0080	8350GB1080
3/8 (9.5mm)	EJ1075-101A	EJ1235-101A	EJ1237-101A	8350GA0095	8350GB0095	8350GB1095
1/2 (12.7mm)	EJ1075-121A	EJ1235-121A	EJ1237-121A	8350GA0095	8350GB0095	8350GB1095
1/2 (12.7mm)	EJ1075-161A	EJ1235-161A	EJ1237-161A	8350GA0127	8350GB0127	8350GB1127

Q. CS-8362 零件號碼與頁數對照表 NUMERICAL PARTS-LIST (1/3)

零件號碼 Part No.	頁數 PAGE	零件號碼 Part No.	頁數 PAGE	零件號碼 Part No.	頁數 PAGE	零件號碼 Part No.	頁數 PAGE
4400119005	31	26	8370162600	21	3	8370912000	31 13
4400164100	15	20	8370164005	15	18	8370912500	31 28
4400190100	7	6	8370165100	15	4	8370912505	31 27
4400911500	31	3	8370166000	15	13	8372187100	23 20
4400911700	31	16	8370180100	17	3	8350GA0040	3 18
4710113000	3	24	8370183700	23	10	8350GB0040	21 5
4710335400	31	20	8370186300	23	12	836216320A	21 7
4710340800	29	13	8370186600	23	17	A1024-1A	25 18
5372166400	21	4	8370187505	5	20	A1030-0A	25 9
8360185100	23	5	8370270105	7	12	A1031-0A	25 7
8360186400	23	13	8370271000	9	13	A1032-0A	25 8
8360186500	23	24	8370271100	9	15	A1033-0A	25 6
8360186700	23	18	8370311605	3	12	A1034-0A	25 15
8360186800	23	19	8370335100	31	21	A1035-0A	25 16
8360186904	23	30	8370335200	31	22	A1036-0A	25 4
8360188000	23	32	8370335500	31	19	A1062-0A	7 7
8362162400	21	1	8370335505	31	18	A1077-0A	3 11
8362163100	21	6	8370335600	31	23	A1107-0A	7 9
8362183600	23	7	8370341100	13	19	A1130-0A	11 10
8362183604	23	6	8370341100	29	11	A1131-1A	3 6
8362188100	23	8	8370341500	29	25	A7006-0A	23 1
8363186000	23	11	8370341609	29	4	A7010-0A	31 5
8370120100	5	9	8370341700	29	1	A7010-1A	31 6
8370120800	5	1	8370341900	29	17	A7010-2A	31 7
8370122300	5	17	8370343700	29	26	A7011-0A	31 15
8370131000	5	19	8370353000	27	21	A7012-0A	31 14
8370131504	5	36	8370353100	11	23	A7012-1A	31 4
8370131505	5	35	8370353200	11	16	A7012-2A	31 12
8370131700	5	38	8370353300	27	6	A7034-0A	29 15
8370131704	5	37	8370355200	23	22	A7036-0A	29 20
8370143605	11	14	8370355300	21	8	A7037-0A	29 18
8370143700	7	29	8370355500	27	7	A7037-1A	29 19
8370145105	11	21	8370355600	27	24	A7040-0A	31 9
8370160100	19	14	8370357005	27	1	B1274-0A	13 8
8370160105	19	13	8370357105	27	10	B1275-0A	13 4
8370160600	17	1	8370357205	27	11	B1283-0A	7 28
8370160905	17	10	8370357305	27	12	B1321-0A	5 10
8370162500	21	2	8370910900	31	30	B1321-0A	5 34
						B4131-0A	5 27
						B4132-0A	5 25
						B4133-0A	5 28
						B4134-0A	5 23
						B4135-0A	5 26
						B4138-0A	5 21
						B7060-0A	29 22
						BB6000ZZ	5 39
						BB6203ZZNR	17 21
						BB6204ZZNR	5 14
						BNTA2616Z	17 14
						C1041-0A	25 23
						C1052-0A	3 29
						C1054-0A	3 25
						C1061-0A	7 5
						C1141-0B	3 40
						C1174-0A	15 41
						C1183-0A	13 3
						C1375-2A	9 18
						C4015-0A	17 4
						C4025-0A	23 3
						C4026-0A	17 25
						C7006-0A	31 2
						E1158-0A	15 16
						E1171-2A	15 17
						E1172-2A	15 19
						E1173-2A	15 21
						E1174-2A	15 22
						E1291-0A	11 3
						E1297-0A	11 8
						E1298-0A	11 12
						E7026-1B	31 31
						EJ1010-0A	3 31
						EJ1010-1A	3 27
						EJ1011-0A	3 37
						EJ1011-1A	3 4
						EJ1012-0A	3 7
						EJ1012-0A	3 20

Q. CS-8362 零件號碼與頁數對照表 NUMERICAL PARTS-LIST (2/3)

零件號碼 Part No.	頁數 PAGE	零件號碼 Part No.	頁數 PAGE	零件號碼 Part No.	頁數 PAGE	零件號碼 Part No.	頁數 PAGE			
EJ1014-0A	3	35	EJ1272-0A	13	10	EJ4051-0A	19 11	WA049003	27	23
EJ1017-0A	3	33	EJ1273-0A	13	9	EJ4055-0A	19 19	WA049006	11	28
EJ1020-1A	25	1	EJ1278-0A	11	27	EJ4060-0A	17 19	WA059002	7	27
EJ1021-0A	25	14	EJ1280-0A	7	32	EJ4061-0A	17 22	WA059002	29	27
EJ1026-2A	25	20	EJ1281-0A	7	31	EJ4115-0A	15 14	WA059003	31	11
EJ1027-1A	25	19	EJ1282-0A	7	23	EJ4120-0A	17 9	WA059005	23	29
EJ1028-0A	25	12	EJ1283-0A	11	18	EJ4121-0A	17 8	WA060004	21	17
EJ1028-2A	25	13	EJ1284-0A	11	19	EJ4130-0B	5 32	WA060004	23	27
EJ1037-0A	25	3	EJ1286-0A	11	15	EJ4136-0A	5 29	WA069001	5	41
EJ1038-2A	25	2	EJ1287-0A	11	22	EJ4137-0A	5 22	WA069003	19	16
EJ1043-0A	3	36	EJ1290-0A	11	1	EJ4150-0A	15 32	WA069011	11	7
EJ1051-0A	3	9	EJ1295-0A	11	5	EJ4151-0A	17 17	WA100013	17	24
EJ1055-0A	3	13	EJ1300-0A	13	17	EJ4152-0A	15 34	WG000010	15	10
EJ1056-0A	3	14	EJ1301-0A	29	24	EJ4153-0A	15 35	WH206001	19	21
EJ1057-0A	3	15	EJ1320-0B	5	12	EJ4154-0A	15 30	WH209003	15	40
EJ1063-0A	3	2	EJ1331-0A	9	11	EJ4156-0A	15 29	WH212004	15	39
EJ1070-1A	7	19	EJ1332-0A	9	3	EJ4157-0A	15 26	XA300027	7	35
EJ1074-0A	7	17	EJ1333-0A	9	2	EJ4172-0A	27 16	XA300030	17	16
EJ1075-051A	7	21	EJ1334-0A	9	1	EJ4175-0A	27 9	XA300030	19	7
EJ1080-0A	7	11	EJ1337-0A	9	16	EJ6076-0A	27 13	XA300035	15	33
EJ1081-0A	7	15	EJ1341-0A	9	8	F1076-0A	7 22	XA300040	7	16
EJ1090-0A	7	13	EJ1343-0A	9	9	INDPX17-18	31 1	XA300045	27	2
EJ1091-0A	7	2	EJ1344-0A	9	5	J7022-0B	31 17	XA300055	15	31
EJ1092-0A	7	26	EJ1366-0A	27	5	J7050-1A	31 8	XA300065	7	10
EJ1101-0A	5	6	EJ1369-0A	27	30	L1312-0A	29 6	XA300080	7	1
EJ1103-0A	5	15	EJ1375-0A	27	19	LG4014-0A	23 14	XA300085	9	17
EJ1150-0A	15	1	EJ4012-0A	17	6	LG4014-0A	29 2	XA300130	11	24
EJ1155-0A	15	5	EJ4013-1A	17	18	OP00100A	15 25	XA300140	11	17
EJ1160-0A	15	11	EJ4016-0A	17	12	RB200250	11 11	XA300140	27	3
EJ1161-0A	15	6	EJ4017-0A	17	13	RB200260	17 15	XA300150	27	27
EJ1163-0A	15	7	EJ4018-0A	19	8	RE000050	17 7	XA300160	27	4
EJ1166-0A	15	12	EJ4040-0A	19	20	RE000060	19 5	XA300200	7	24
EJ1170-0A	15	24	EJ4041-0A	19	26	S1013-0B	3 22	XA300240	27	25
EJ1180-0A	13	12	EJ4044-0A	19	1	S1014-0B	3 1	XA300430	27	28
EJ1200-0A	13	6	EJ4045-0A	19	10	TRB09×10	31 34	XB110001	27	29
EJ1208-0A	13	1	EJ4046-0A	19	24	TRB11×13	31 32	XB118001	5	8
EJ1235-051A	13	14	EJ4047-0A	19	6	TRB12×14	31 33	XB206003	27	26
EJ1237-051A	7	33	EJ4048-0A	19	4	WA049003	3 38	XB304001	17	2

Q. CS-8362 零件號碼與頁數對照表 NUMERICAL PARTS-LIST (3/3)

零件號碼 Part No.	頁數 PAGE	零件號碼 Part No.	頁數 PAGE	零件號碼 Part No.	頁數 PAGE	零件號碼 Part No.	頁數 PAGE				
XB312002	19	18	ZSA16020	23	4	ZSB11016	27	15	ZSC11007	3	19
XB316001	27	8	ZSA16021	17	5	ZSB11017	13	2	ZSD11001	7	25
XB400003	23	23	ZSA16025	17	20	ZSB11021	25	25	ZSD15002	19	15
YA020177	23	9	ZSA16033	5	42	ZSB11026	11	26	ZSD15007	5	40
YB040025	9	4	ZSA16033	9	7	ZSB11028	15	36	ZSD15007	29	21
YC010010	5	24	ZSA16033	9	10	ZSB11029	19	12	ZSD16007	11	6
YD050018	3	23	ZSA16033	19	27	ZSB11041	3	10	ZSD20007	29	8
ZMB03004	23	21	ZSA16034	5	7	ZSB11069	11	20	ZSD20007	29	16
ZMB04018	21	13	ZSA16034	13	13	ZSB11083	13	11	ZSG08003	3	16
ZMB04018	31	24	ZSB06003	25	21	ZSB11093	21	11	ZSG09004	25	5
ZMB04022	27	14	ZSB08010	19	17	ZSB12015	19	9	ZSG09005	25	10
ZMC05002	23	16	ZSB09005	25	24	ZSB12017	15	23	ZSG15044	21	9
ZMD06005	29	10	ZSB09007	21	12	ZSB15004	5	30	ZSG16003	13	18
ZMG06003	11	9	ZSB09007	25	22	ZSB15006	5	11	ZSG16005	29	23
ZMG06013	19	22	ZSB09011	3	17	ZSB15006	5	16	ZSG16007	21	10
ZMH04003	23	31	ZSB09011	27	17	ZSB15006	5	31	ZSG16013	29	14
ZMK05017	29	5	ZSB09011	27	20	ZSB15006	15	2	ZSG16018	11	25
ZMK05018	29	7	ZSB09018	9	19	ZSB15006	15	37	ZSH15002	17	28
ZML06001	11	4	ZSB09018	27	18	ZSB15006	15	38	ZSH15006	17	11
ZML06002	29	9	ZSB09027	7	20	ZSB15009	15	8	ZSH16005	23	15
ZML06005	19	23	ZSB09028	13	15	ZSB15010	31	25	ZSH16005	29	3
ZMQ06002	21	18	ZSB09032	7	18	ZSB15026	5	18	ZSK11036	13	7
ZMQ06002	23	26	ZSB09047	23	25	ZSB15037	15	3	ZSK16017	13	16
ZMT05001	31	10	ZSB10002	13	5	ZSB15041	5	13	ZSL11007	25	11
ZSA11005	9	6	ZSB11009	7	34	ZSB16004	9	12	ZSL15004	21	15
ZSA15010	7	8	ZSB11010	7	30	ZSB16004	19	3	ZSL15004	31	29
ZSA15017	5	3	ZSB11011	15	15	ZSB16004	19	25	ZSL16010	21	16
ZSA15017	7	4	ZSB11011	27	22	ZSB16011	13	20	ZSL20004	9	14
ZSA15019	5	2	ZSB11012	3	3	ZSB16011	29	12	ZSN16002	25	17
ZSA15021	5	33	ZSB11012	3	5	ZSB18001	5	5			
ZSA15025	15	27	ZSB11012	3	8	ZSB18002	5	4			
ZSA15025	15	28	ZSB11012	3	21	ZSB20009	7	3			
ZSA15028	11	2	ZSB11012	3	28	ZSC06005	7	14			
ZSA16010	17	26	ZSB11012	3	32	ZSC09006	17	23			
ZSA16010	19	2	ZSB11012	3	39	ZSC09009	3	26			
ZSA16010	23	2	ZSB11012	29	28	ZSC09021	3	30			
ZSA16011	11	13	ZSB11014	15	9	ZSC09021	3	34			
ZSA16020	17	27	ZSB11015	23	28	ZSC11003	21	14			

GOLDEN WHEEL

金輪牌 GOLDEN WHEEL
CHEE SIANG INDUSTRIAL CO.,LTD.

No.32 Wu Chuan 7th Road, Wu Ku Industrial Area,
Wu Ku Hsiang 24248, Taipei Hsien, Taiwan.
Tel:886-2-22999518 Fax:886-2-22999519

No.8362000

※Appear and specification listed in this instruction manual are subjected to change without notice.
※This parts list is edited and printed in accordance with the product specifications as of May 2008.

2008.05 Printed in Taiwan